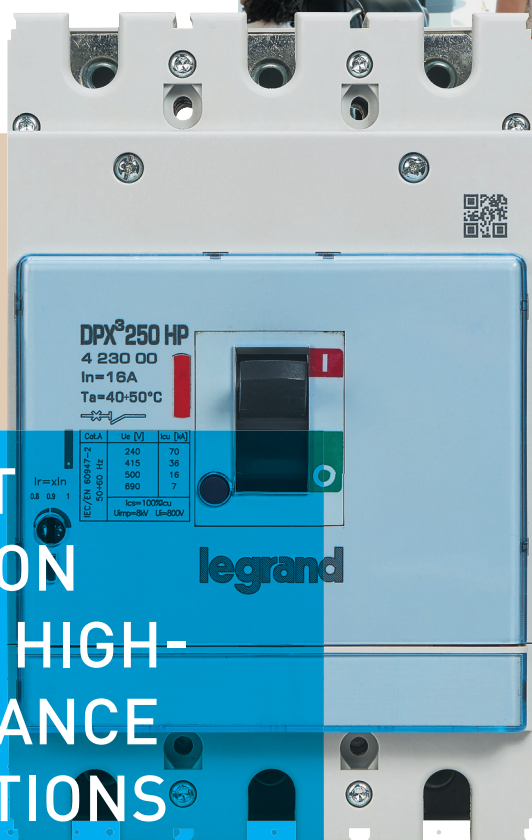


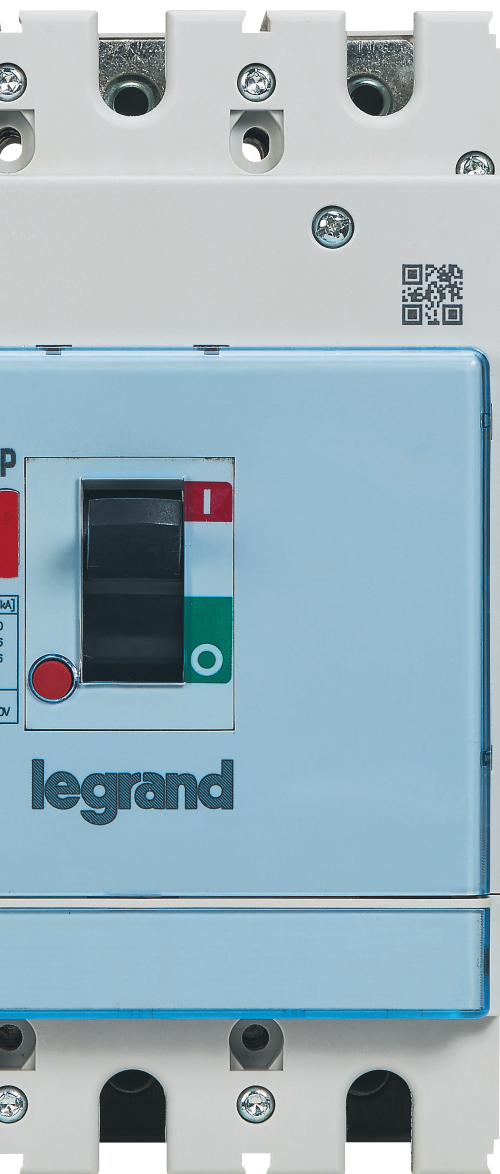
MOULDED CASE  
CIRCUIT BREAKERS  
from 16 A to 1600 A



THE RIGHT  
PROTECTION  
FOR YOUR HIGH-  
PERFORMANCE  
INSTALLATIONS

DPX<sup>3</sup> 125 HP/250 HP/  
630 AND 1600

CATALOGUE  
PAGES  
INSIDE



# DPX<sup>3</sup>

**RELIABLE PROTECTION  
AND HIGH PERFORMANCE  
UP TO 1600 A**

**The new DPX<sup>3</sup> 125 HP and 250 HP MCCBs extend the advantages of the DPX<sup>3</sup> range from 16 A to 1600 A. Not only do DPX<sup>3</sup> HP MCCBs provide reliable, accurate protection, they also offer numerous benefits for your low voltage distribution boards.**

The wide choice of characteristics and versions meets the requirements of all types of installation. The different selectivity techniques available help ensure optimum continuity of service and the high limitation capacity in the event of short-circuits ensures a longer service life for your installation. Operation and maintenance are made easy by the comprehensive range of electrical and mechanical auxiliaries. Perfect synergy with Legrand XL<sup>3</sup> and XL<sup>3</sup> S enclosures simplifies implementation. Numerous accessories are available to enable adaptation to any board configuration.

**Read on to discover all you need to know about the DPX<sup>3</sup> range and its benefits.**

### Wide choice, high performance and safety

High-performance circuit breakers for your projects .....	2-3
Different versions for all types of installation .....	4-5
Integrated measurement and optimum continuity of service .....	6-7

### Safety, simplicity and speed of installation

Control and signalling auxiliaries that are easy to install and wire up .....	8-9
Supply inversion and motor operators .....	10-11
Connection accessories for multiple configurations .....	12-13
Plug-in and draw-out versions for perfect continuity of service .....	14-15
XL Pro <sup>3</sup> software makes configuring your enclosures simplicity itself .....	16-17

### Catalogue pages

Find all our catalogue numbers and details of their settings .....	18-49
--	-------

DPX<sup>3</sup> HP

# High-performance circuit breakers for your projects

With DPX<sup>3</sup> 125 and 250 HP, which have been added to the DPX<sup>3</sup> 630 and 1600 MCCBs and isolating switches, Legrand offers a solution ideally suited to the performance requirements of all your installations for current ratings from 16 A to 1600 A and breaking capacities up to 100 kA.

2

These products are reliable and rugged, easy to use and install, and provide effective protection for your installation. There is a choice of sizes, available with 3 and 4 poles, in fixed or draw-out versions and with a choice of thermal-magnetic or electronic protection depending on the desired service level. This offer also includes a range of control and signalling units and connection accessories for easy integration in any electrical installation, regardless of configuration.

## MOUNTING ON PLATE

SUITABLE FOR ALL TYPES OF SITE  
IN THE SERVICE SECTOR AND INDUSTRY

In: 16 A → 1600 A

Icu: 36 kA → 100 kA (380/415 V~)

## PROTECTION:

- THERMAL-MAGNETIC OR
- ELECTRONIC (FOR DPX<sup>3</sup> 250 HP, DPX<sup>3</sup> 630 AND 1600)

QUALITY, RELIABILITY  
AND STRENGTH ARE  
THE MAIN ATTRIBUTES  
OF THIS NEW RANGE



NEW

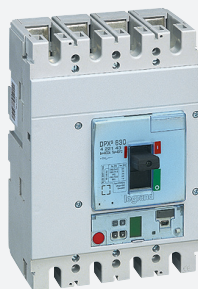


DPX<sup>3</sup> 125 HP

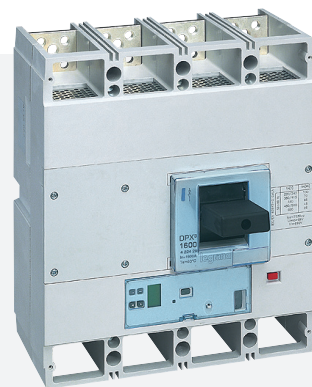
NEW



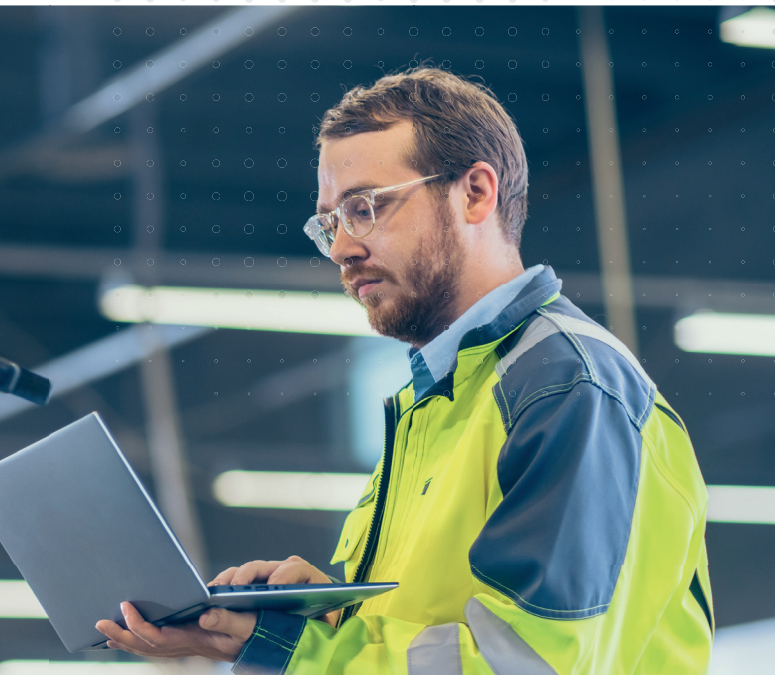
DPX<sup>3</sup> 250 HP



DPX<sup>3</sup> 630



DPX<sup>3</sup> 1600



## A LONGER SERVICE LIFE FOR YOUR INSTALLATIONS

The “Active breaking capacity” patented system integrated in the new 70 kA and 100 kA DPX<sup>3</sup> HP MCCBs significantly reduces the current magnitude and dissipated energy in the event of short-circuits, thus increasing the limitation capacity of devices. Improved limitation capacity means less overheating in the cables, fewer mechanical effects, less electromagnetic disturbance, and therefore a longer service life for your installation over time.



VERY HIGH PERFORMANCE LEVEL

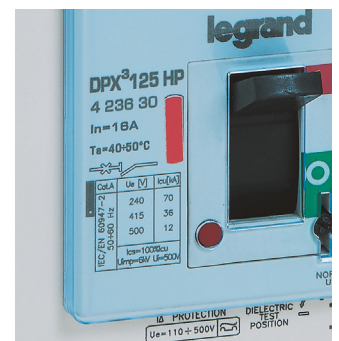
## SIZES AVAILABLE

Four circuit breaker sizes available with breaking capacities from 36 to 100 kA over the whole range, which makes them suitable for all types of site in the large service sector and industry.

In	16	25	40	63	80	100	125	160	200	250	320	400	500	630	800	1000	1250	1600	
100 kA																			DPX <sup>3</sup> 1600
														DPX <sup>3</sup> 630					
70 kA																			DPX <sup>3</sup> 1600
														DPX <sup>3</sup> 630					
50 kA																			DPX <sup>3</sup> 1600
														DPX <sup>3</sup> 630					
36 kA																			DPX <sup>3</sup> 1600
														DPX <sup>3</sup> 630					

## EASY IDENTIFICATION

Easy identification of the breaking capacity thanks to the colour-coded marking on the front of the equipment:

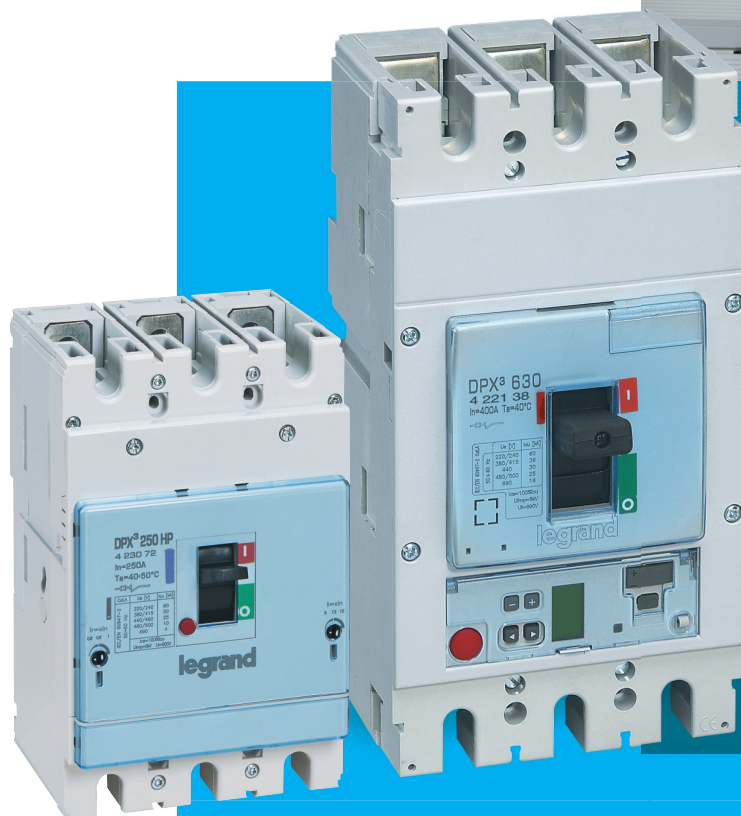


## Different versions for all types of installation

4

The DPX<sup>3</sup> range offers a wide choice of versions to meet all types of requirement depending on the site.

- Thermal-magnetic, electronic or magnetic-only protection
- With or without integrated residual current protection
- With or without integrated measurement function
- Fixed, plug-in or draw-out version



### MAGNETIC-ONLY CIRCUIT BREAKERS

Magnetic-only circuit breakers, available throughout the range from 6.3 A to 1000 A, are particularly suitable for protecting three-phase motors. Thanks to their high limitation capacity, the new DPX<sup>3</sup> 125 and 250 HP, combined with CTX<sup>3</sup> contactors, can provide type 2 coordination (according to IEC 60947-4-1), and thus provide better continuity of service.

### TRIP-FREE SWITCHES

The 4 device sizes are also produced in a DPX<sup>3</sup>-I 125 and 250 HP and DPX<sup>3</sup>-I 630 and 1600 trip-free switch version for installations that only require on-load breaking and separation of circuits. All the control and signalling units and connection accessories are common to those of the corresponding circuit breakers.



DPX<sup>3</sup> 250 HP  
magnetic-only



DPX<sup>3</sup>-I 125 HP  
trip-free switch



DPX<sup>3</sup>-I 250 HP  
trip-free switch



## A WIDE CHOICE OF VERSIONS

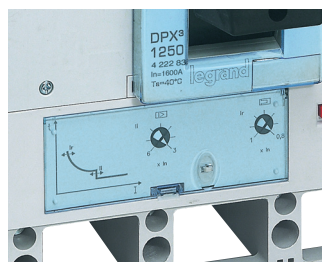
		DPX <sup>3</sup> 125 HP	DPX <sup>3</sup> 250 HP	DPX <sup>3</sup> 630	DPX <sup>3</sup> 1600
Number of poles	3P	•	•	•	•
	4P	•	•	•	•
	3 P + N/2	-	-	•	•
Version	Fixed	•	•	•	•
	Plug-in	-	•	•	-
	Draw-out	-	•	•	•
Protection	Thermal-magnetic	•	•	•	•
	S1 electronic	-	•	•	•
	S2 electronic	-	-	•	•
	Sg electronic	-	-	•	•
	Residual current protection	integrated	integrated	Add-on module	Add-on module
	Magnetic-only	-	•	•	•
Integrated measurement		-	-	•(1)	•(1)

5

(1) With S2 and Sg versions

## POSSIBLE SETTINGS

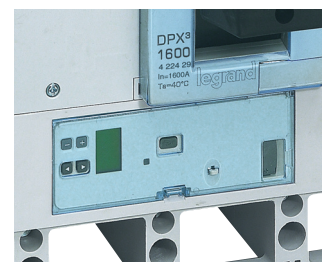
THE CHOICE BETWEEN THE DIFFERENT TYPES OF PROTECTION IS MADE MAINLY ON THE BASIS OF PERFORMANCE AND THE DESIRED LEVEL OF SELECTIVITY.



Thermal-magnetic version - thumbwheel settings<sup>(2)</sup>



S1 electronic version - thumbwheel settings<sup>(2)</sup>



S2 electronic version - button settings + LCD screen<sup>(2)</sup>

## OPTIMISED INTEGRATION

The dimensions of 4P DPX<sup>3</sup> 125 or 250 HP circuit breakers with or without integrated residual current protection are exactly the same (within the same family), which saves a significant amount of space in enclosures and gives the ability to upgrade the installation from a standard version to a version with integrated residual current protection without changing the wiring or fixing plates.



4P DPX<sup>3</sup> 250 HP circuit breakers without residual current protection



4P DPX<sup>3</sup> 250 HP circuit breakers with residual current protection

(2) The photos correspond to a DPX<sup>3</sup> 1600 MCCB. The position of the settings on the front face may vary according to the size of the circuit breaker.

# Integrated measurement and optimum continuity of service

6

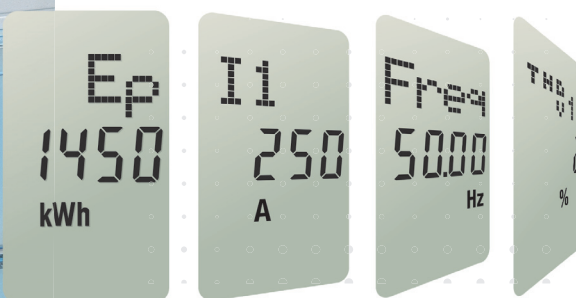
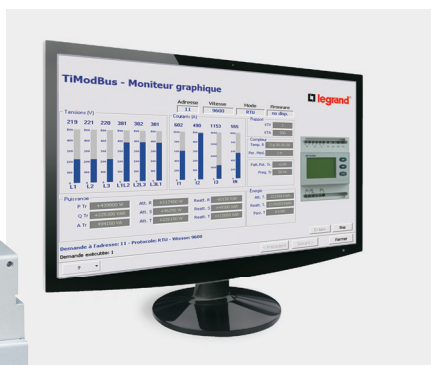
With electronic DPX<sup>3</sup> 630 and 1600 with integrated measurement, it is very easy to monitor the parameters and consumption of the different circuits in the installation, without an external device.

- The measured values are displayed directly on the LCD screen on the front of the equipment.
- The measurement data can also be displayed remotely on a PC equipped with control & management software, via a communication interface.

## INTERNAL BATTERY

Thanks to the internal battery, the protection unit can be set even if the circuit breaker is de-energised. Tests and troubleshooting can be done directly via the circuit breaker LCD screens.

## FUNCTIONS TO MAKE USE EASIER



Currents, voltages, frequency, power, energy, THD.  
Integrated measurement is available on the DPX<sup>3</sup> 630 and 1600 MCCBs.





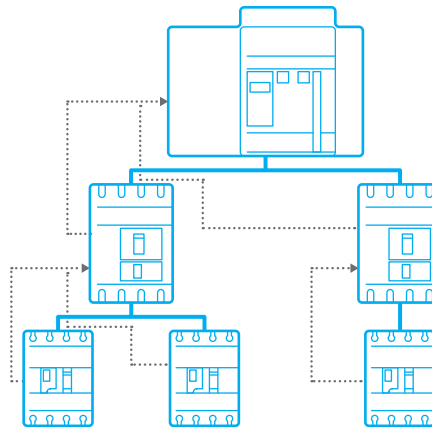


**Guaranteeing continuity of service, selectivity between Legrand circuit breakers is optimal thanks to the improved performance of DPX<sup>3</sup> devices.**

In critical configurations, the dynamic selectivity and logical selectivity offered by the protection units in electronic DPX<sup>3</sup> circuit breakers provide total continuity of service in any situation.

### LOGICAL SELECTIVITY

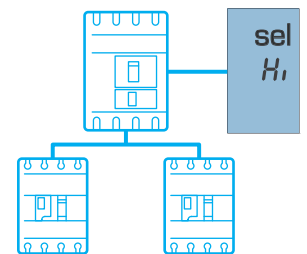
This is “smart” selectivity obtained via communication between electronic DPX<sup>3</sup> (and/or DMX<sup>3</sup>) circuit breakers interconnected by an external wired connection. It can be used to obtain total selectivity on several levels and reduce the thermal and electrodynamic stresses on the cables or the bars, thus optimising the installation.



### DYNAMIC SELECTIVITY

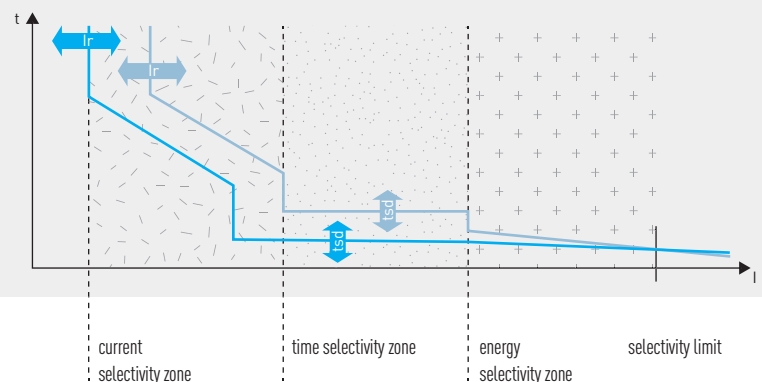
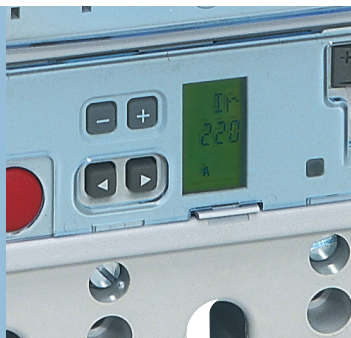
Electronic DPX<sup>3</sup> MCCBs can be set in 2 positions:

- “Low” for a normal selectivity level
  - “High” for a higher selectivity level
- Electronic circuit breakers set to “High” have a slight tripping delay which means a high selectivity level can be obtained, even for the highest short-circuit currents.



### CURRENT SELECTIVITY AND TIME SELECTIVITY

The accurate settings of electronic DPX<sup>3</sup> MCCBs ensures optimum current and time selectivity.



DPX<sup>3</sup> HP

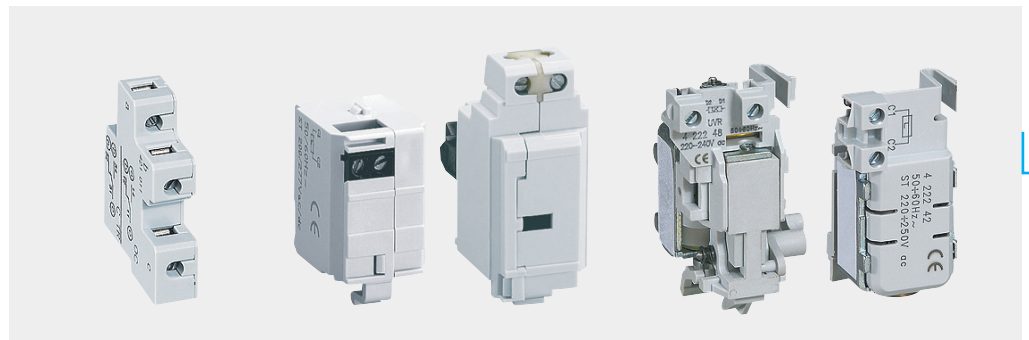
# Control and signalling auxiliaries that are easy to install and wire up

8

SAFETY, SIMPLICITY  
AND SPEED OF  
INSTALLATION



To provide emergency breaking, automatic or remote control, and feedback on the status of the device, all the DPX<sup>3</sup> circuit breakers can very easily be fitted with a comprehensive range of electrical auxiliaries.



AUXILIARY CONTACTS or fault signal common to all DPX<sup>3</sup> devices

SHUNT RELEASES and undervoltage releases for DPX<sup>3</sup> 125 HP and 250 HP

SHUNT RELEASES and undervoltage releases for DPX<sup>3</sup> 630 and 1600

### NUMBER OF AUXILIARIES THAT CAN BE INSTALLED PER DEVICE

	Auxiliary contacts	Fault signals	Releases
DPX <sup>3</sup> 125 HP	1	1	1
DPX <sup>3</sup> 250 HP	1	1	1
DPX <sup>3</sup> 630	2	2	1
DPX <sup>3</sup> 1600	3	1	1

DPX<sup>3</sup> MCCBs offer different options for outgoing connection wires.



The auxiliaries are installed in dedicated slots under the front panel.

# Supply inversion and motor operators from 16 to 1600 A

10

The interlocking device for DPX<sup>3</sup> HP greatly simplifies the installation of a supply inverter: It consists of a plate and a mechanical interlocking device.

SAFETY, SIMPLICITY  
AND SPEED OF  
INSTALLATION



The mechanical interlocking device is fitted between two DPX<sup>3</sup> HP circuit breakers of the same size. It is also available in a version with an electronic module.



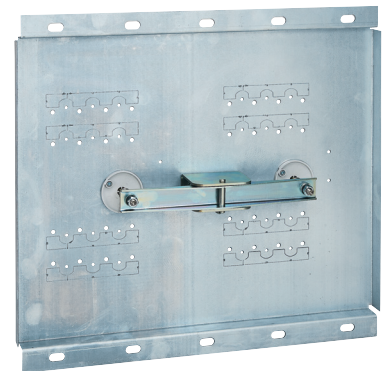
### DPX<sup>3</sup> HP - FIXED VERSION

The circuit breakers and interlocking device are fixed to the plate with just a few screws.



### DPX<sup>3</sup> HP - PLUG-IN AND DRAW-OUT VERSION

For supply inverters consisting of DPX<sup>3</sup> HP circuit breakers in a plug-in or draw-out version, the plate is fitted with an interlocking device located on the back.



### MOTOR OPERATORS

Motor operators for DPX<sup>3</sup> HP 250, DPX<sup>3</sup> 630 and 1600 are available in a front version. They take different supply voltages from 24 to 230 V, both DC and AC.



DPX<sup>3</sup> 250 HP equipped with a front installation motor operator

# Connection accessories for multiple configurations

12

Connection plates, cage terminals, spreader strips, rear terminals, etc.

DPX<sup>3</sup> 125 and 250 HP and DPX<sup>3</sup> 630 and 1600 have all the accessories needed for upstream and downstream connection using cables or bars in a multitude of configurations.



## CAGE TERMINALS

High-capacity cage terminals can be used for connection with large cross-section copper or aluminium cables.

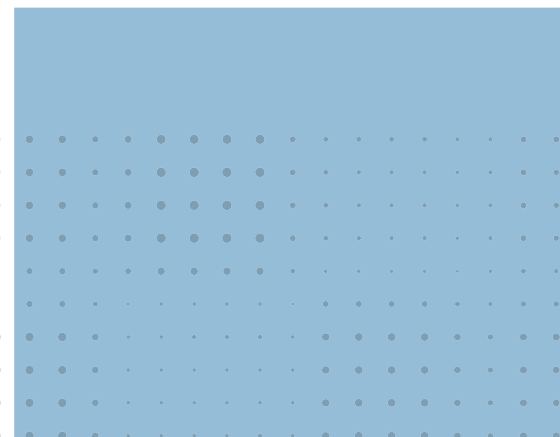


## SPREADERS

These can be used for connection with large cross-section cables.



SAFETY,  
SIMPLICITY  
AND SPEED OF  
INSTALLATION

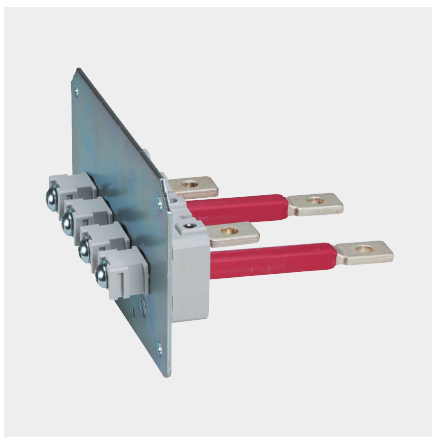




13

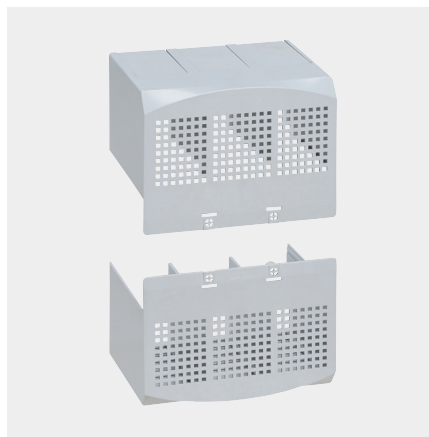
### FLAT REAR TERMINALS

These can be turned horizontally or vertically.



### TERMINAL COVERS

These provide IP 2X protection for the connections.



Connection accessories	Cage terminals		Connection extensions	Adaptors for lugs	Spreaders	Rear terminals
	standard capacity	high capacity				
DPX <sup>®</sup> 125 HP	•	•			•	•
DPX <sup>®</sup> 250 HP	•				•	•
DPX <sup>®</sup> 630	•	•	•	•	•	•
DPX <sup>®</sup> 1600	•	•	•		•	•



# Plug-in or draw-out versions for perfect continuity of service

14

Plug-in and draw-out versions can be used to replace a faulty device in just a few minutes without cutting off the power to the other circuits. They are available for DPX<sup>3</sup> 250 HP and DPX<sup>3</sup> 630 and 1600 circuit breakers.

Bases for plug-in and draw-out devices offer the same connection options as fixed circuit breakers.

SAFETY,  
SIMPLICITY  
AND SPEED OF  
INSTALLATION





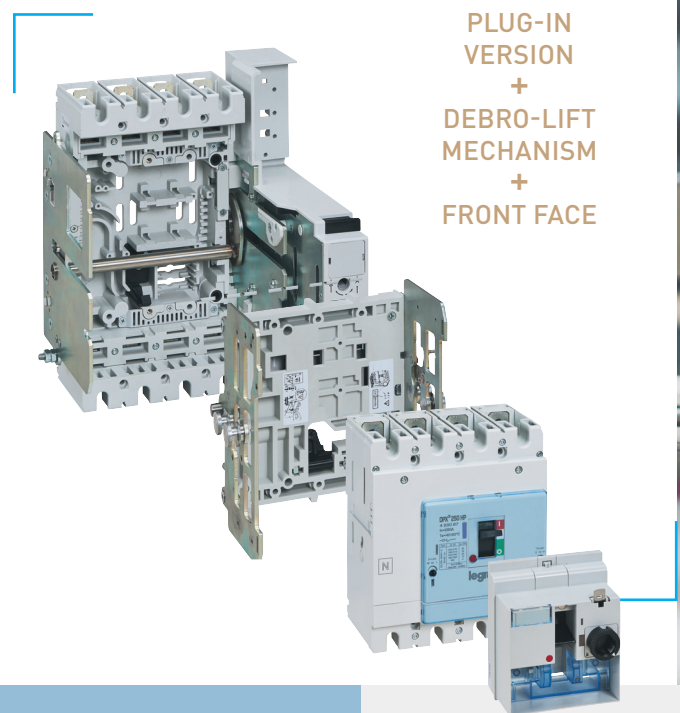
### PLUG-IN VERSION

To transform a DPX<sup>3</sup> 250 HP fixed version to a plug-in version, you simply need to equip it with a mobile kit (fixed to the back of the device) and a base for a plug-in version (which is installed in the board).



### DRAW-OUT VERSION

A draw-out version of the DPX<sup>3</sup> 250 HP is obtained from a plug-in version equipped with a Debro-lift mechanism and a dedicated front face.



### LOCKING

The locking accessory **1** is used to lock the circuit breaker in the "drawn-out" position during maintenance operations. It can be fitted with different models of key barrel. Also available as a padlockable version **2**.



# XL PRO<sup>3</sup> software makes configuring your enclosures simplicity itself

16

XL PRO<sup>3</sup> covers the entire Legrand power offer, including the new DPX<sup>3</sup> HPs.

More than ever, this software is a must-have when designing your distribution boards:

- guide to choosing products and accessories
- view of the enclosure and component layout
- automatic creation of the costing and ordering file

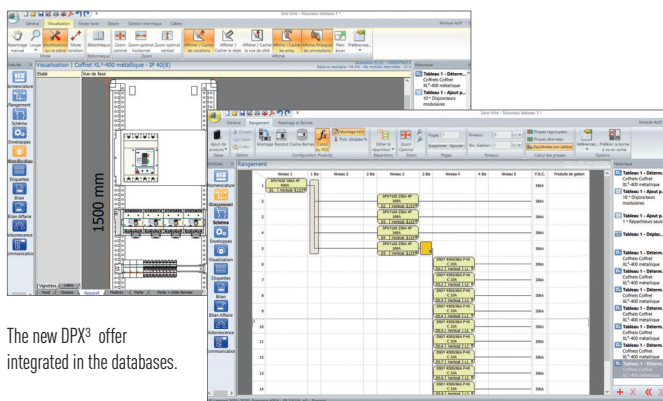
SAFETY,  
SIMPLICITY  
AND SPEED OF  
INSTALLATION



## THE IDEAL TOOL FOR MAKING THE DESIGN CALCULATIONS FOR AN ELECTRICAL INSTALLATION

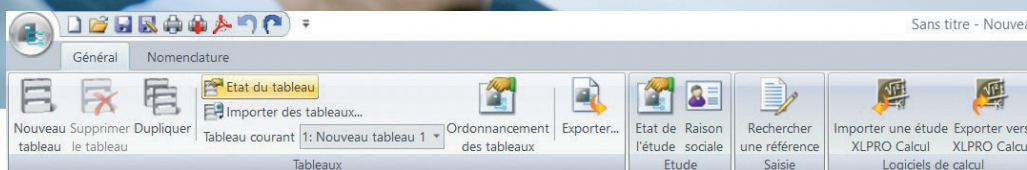
XL PRO<sup>3</sup> Calcul can be used to draw single line diagrams, create design calculations and the power analysis, and to calculate the necessary protections with their settings. It interfaces perfectly with XL PRO<sup>3</sup>.

To order the software, please contact your Legrand sales office. Lifetime updates are available from [www.export.legrand.com](http://www.export.legrand.com).



The new DPX<sup>3</sup> offer integrated in the databases.

HX<sup>3</sup> and VX<sup>3</sup> distribution managed directly in the Arrangement, Circuit diagram and Parts list modules.



A redesigned interface for more intuitive use.

# DPX<sup>3</sup> MCCBs from 16 to 1600 A

fixing on plate



DEVICES	DPX <sup>3</sup> 125 HP thermal magnetic				DPX <sup>3</sup> 250 HP thermal magnetic																		
Mounting	On plate				On plate																		
Breaking capacity (kA) (EN 60947-2 and IEC 60947-2)	36 kA	50 kA	70 kA	100 kA	36 kA	50 kA	70 kA	100 kA															
380/415 V~	36	50	70	100	36	50	70	100															
220/240 V~	70	90	100	150	70	90	100	150															
Service breaking capacity I <sub>cs</sub> (% I <sub>cu</sub> )	100	100	100	100	100	100	100	100															
Characteristic of use																							
Nominal frequency	50/60 Hz																						
Maximum rated operating voltage U <sub>e</sub>	690 V (500 V with integrated e.l.c.b <sup>(1)</sup> )				690 V (500 V with integrated e.l.c.b <sup>(1)</sup> )																		
Category of use	A				A																		
Thermal magnetic adjustment																							
Thermal	0.8 to 1 I <sub>n</sub>				0.8 to 1 I <sub>n</sub>																		
Magnetic	10 I <sub>n</sub> (400 A for I <sub>n</sub> from 16 A to 40 A sizes)				400 A for I <sub>n</sub> from 16 A to 40 A sizes / 6.5 to 13 I <sub>n</sub> for I <sub>n</sub> = 50 A 5 to 10 I <sub>n</sub> for I <sub>n</sub> > 50 A																		
Electronic protection adjustment																							
Maximum cable cross-section																							
Rigid cable	50 mm <sup>2</sup>				150 mm <sup>2</sup>																		
Flexible cable	50 mm <sup>2</sup>				120 mm <sup>2</sup>																		
Copper bar and lug width	17 mm				25 mm <sup>(2)</sup>																		
Tightening torque	7 Nm				I <sub>n</sub> ≤ 125 A : 7 Nm / I <sub>n</sub> > 125 A : 10 Nm																		
Nominal current (I <sub>n</sub> ) at 40 °C (A)																							
I <sub>n</sub> (A)	16	20	25	32	40	50	63	80	100	125	16	20	25	32	40	50	63	80	100	125	160	200	250
Phase	16	20	25	32	40	50	63	80	100	125	16	20	25	32	40	50	63	80	100	125	160	200	250
N	16	20	25	32	40	50	63	80	100	125	16	20	25	32	40	50	63	80	100	125	160	200	250
Magnetic threshold (I <sub>sd</sub> ) (A) <sup>(3)</sup> of DPX <sup>3</sup> and DPX <sup>3</sup> HP thermal magnetic	Fixed				Adjustable																		
I <sub>n</sub> (A)	16	20	25	32	40	50	63	80	100	125	16	20	25	32	40	50	63	80	100	125	160	200	250
Phase	400	400	400	400	400	500	630	800	1000	1250	400	400	400	400	400	325-650	315-630	400-800	500-1000	625-1250	800-1600	1000-2000	1250-2500
N	400	400	400	400	400	500	630	800	1000	1250	400	400	400	400	400	325-650	315-630	400-800	500-1000	625-1250	800-1600	1000-2000	1250-2500
Endurance (cycles)																							
Electrical	8000				6000																		
Mechanical	20000				12000																		
Electronic earth leakage module																							
Type	without or integrated <sup>(1)</sup>				without or integrated <sup>(1)</sup>																		

1: Available only for 36 kA and 50 kA breaking capacities  
 2: Copper bars only  
 3: Trip current for 50/60 Hz. For direct current, multiply by 1.5

DPX³ 250 HP electronic release S1					DPX³ 630 thermal magnetic				DPX³ 630 electronic release				DPX³ 1600 thermal magnetic				DPX³ 1600 electronic release								
On plate					On plate				On plate				On plate				On plate								
36 kA	50 kA	70 kA	100 kA		36 kA	50 kA	70 kA	100 kA	36 kA	50 kA	70 kA	100 kA	36 kA	50 kA	70 kA	100 kA	36 kA	50 kA	70 kA	100 kA					
36	50	70	100		36	50	70	100	36	50	70	100	36	50	70	100	36	50	70	100					
70	90	100	150		70	100	120	170	70	100	120	170	70	100	120	170	70	100	120	170					
100	100	100	100		100	100	100	100	100	100	100	100	100	100	100	100	100	100	100	100					
50/60 Hz					50/60 Hz																				
690 V (500 V with integrated e.l.c.b <sup>(1)</sup> )					690 V~				690 V~				690 V~				690 V~								
A					A				A: In 630 A - B: In 200 to 400 A				A				B								
-					0.8 to 1 In				-				0.8 to 1 In				-								
-					5 to 10 In				-				5 to 10 In				-								
I <sub>r</sub> : 0.4 to 1 x I <sub>n</sub> I <sub>sd</sub> : 1.5 to 10 I <sub>r</sub>					-																				
									S1				S2				Sg								
									I <sub>r</sub> = 0.4 - 1 x I <sub>n</sub>				•				•				•				
									t <sub>r</sub> = 3-30 s								•				•				
									I <sub>sd</sub> = 1.5 - 10 I <sub>r</sub>				•				•				•				
									t <sub>sd</sub> (I=K) = 0-500 ms								•				•				
									t <sub>sd</sub> (I²t=K) = 0-500 ms								•				•				
I <sub>g</sub> = 0.2 - 1 x I <sub>n</sub>												•													
t <sub>g</sub> = 0.1 - 1 s												•													
150 mm²					300 mm² or 2 x 240 mm²				300 mm² or 2 x 240 mm²				2 or 4 x 240 mm²				2 or 4 x 240 mm²								
120 mm²					240 mm² or 2 x 185 mm²				240 mm² or 2 x 185 mm²				2 or 4 x 185 mm²				2 or 4 x 185 mm²								
25 mm <sup>(2)</sup>					32 mm				32 mm				50 mm				50 mm								
10 Nm					15 Nm				15 Nm				20 Nm				20 Nm								
40	100	160	250		250	320	400	500	630	250	320	400	500	630	500	630	800	1000	1250	500	630	800	1000	1250	1600
40	100	160	250		250	320	400	500	630	250	320	400	500	630	500	630	800	1000	1250	500	630	800	1000	1250	1600
0 - 50 - 100 % of phase value					250	320	400	500	630	0 - 50 - 100 % of phase value				500	630	800	1000	1250	0 - 50 - 100 % of phase value						
<b>Adjustable</b>																									
					250	320	400	500	630	-				500	630	800	1000	1250	-						
					1250-2500	1600-3200	2000-4000	2500-5000	3150-6300	-				2500-5000	3150-6300	4000-8000	5000-10000	6250-12500	-						
					1250-2500	1600-3200	2000-4000	2500-5000	3150-6300	-				2500-5000	3150-6300	4000-8000	5000-10000	6250-12500	-						
6000					5000				5000				4000				4000								
6000					10000				20000				10000				10000								
without or integrated <sup>(1)</sup>					downstream e.l.c.bs.				downstream e.l.c.bs.				-				-								

# DPX<sup>3</sup> 125 HP

thermal magnetic release MCCBs from 16 to 125 A - fixing on plate



4 236 49



4 236 59

Dimensions **p. 42**  
 Electrical characteristics **p. 45**

Moulded case MCCBs for switching, control isolation and protection of low voltage electrical lines  
 Can be fitted with auxiliaries (p. 25)  
 Supplied with: screws for connections, fixing screws and insulated shields (phase barriers)  
 Can be fitted with cage terminals 120 mm<sup>2</sup> max. (flexible cable) or 150 mm<sup>2</sup> max. rigid cable (p. 21)  
 Conform to IEC 60947-2 - Sealable adjustment.  
 Can be mounted on plate in XL<sup>3</sup> and XL<sup>3</sup> S cabinets and enclosures

Pack	Cat.Nos		MCCBs - fixed version
			Thermal adjustable from 0.8 to 1 In Magnetic fixed at 10 In (fixed at 400 A for In from 16 A to 40 A)
			<b>Breaking capacity Icu 36 kA (400 V<sub>~</sub>)</b>
		In (A)	
	3P	4P	
1	4 236 00	4 236 10	16
1	4 236 01	4 236 11	20
1	4 236 02	4 236 12	25
1	4 236 03	4 236 13	32
1	4 236 04	4 236 14	40
1	4 236 05	4 236 15	50
1	4 236 06	4 236 16	63
1	4 236 07	4 236 17	80
1	4 236 08	4 236 18	100
1	4 236 09	4 236 19	125
			<b>Breaking capacity Icu 50 kA (400 V<sub>~</sub>)</b>
1	4 236 40	4 236 50	16
1	4 236 41	4 236 51	20
1	4 236 42	4 236 52	25
1	4 236 43	4 236 53	32
1	4 236 44	4 236 54	40
1	4 236 45	4 236 55	50
1	4 236 46	4 236 56	63
1	4 236 47	4 236 57	80
1	4 236 48	4 236 58	100
1	4 236 49	4 236 59	125
			<b>Breaking capacity Icu 70 kA (400 V<sub>~</sub>)</b>
1	4 236 80	4 236 90	16
1	4 236 81	4 236 91	20
1	4 236 82	4 236 92	25
1	4 236 83	4 236 93	32
1	4 236 84	4 236 94	40
1	4 236 85	4 236 95	50
1	4 236 86	4 236 96	63
1	4 236 87	4 236 97	80
1	4 236 88	4 236 98	100
1	4 236 89	4 236 99	125
			<b>Breaking capacity Icu 100 kA (400 V<sub>~</sub>)</b>
1	4 237 00	4 237 10	16
1	4 237 01	4 237 11	20
1	4 237 02	4 237 12	25
1	4 237 03	4 237 13	32
1	4 237 04	4 237 14	40
1	4 237 05	4 237 15	50
1	4 237 06	4 237 16	63
1	4 237 07	4 237 17	80
1	4 237 08	4 237 18	100
1	4 237 09	4 237 19	125

Pack	Cat.Nos	MCCBs with electronic earth leakage module - fixed version
		Thermal adjustable from 0.8 to 1 In Magnetic fixed at 10 In (fixed at 400 A for In from 16 A to 40 A)
		Equipped with earth leakage module Adjustable sensitivity: 0.03 - 0.3 - 1 - 3 A Adjustable tripping: 0 - 0.3 - 1 - 3s (with 0.03 A possible only 0 s)
		<b>Breaking capacity Icu 36 kA (400 V<sub>~</sub>)</b>
		In (A)
	4P	
1	4 236 30	16
1	4 236 31	20
1	4 236 32	25
1	4 236 33	32
1	4 236 34	40
1	4 236 35	50
1	4 236 36	63
1	4 236 37	80
1	4 236 38	100
1	4 236 39	125
		<b>Breaking capacity Icu 50 kA (400 V<sub>~</sub>)</b>
1	4 236 70	16
1	4 236 71	20
1	4 236 72	25
1	4 236 73	32
1	4 236 74	40
1	4 236 75	50
1	4 236 76	63
1	4 236 77	80
1	4 236 78	100
1	4 236 79	125

# DPX<sup>3</sup> 125 HP

## equipment and accessories



Pack	Cat.Nos	Rotary handles	Pack	Cat.Nos	Sealable terminal shields
1	4 238 70	<b>Direct on DPX<sup>3</sup></b> Standard (grey)	1	4 238 93	<b>For front terminals</b> For DPX <sup>3</sup> 125 HP 3P
1	4 238 71	For emergency use (red/yellow)	1	4 238 94	For DPX <sup>3</sup> 125 HP 4P
		<b>Vari-depth handle IP 55</b> Comprising: connection rod, bracket, self-adhesive drilling template, mounting accessories and door lock mechanism			<b>Mechanical interlock for transfer switches</b>
1	4 238 72	Standard (grey)	1	4 238 27	Interlocking mechanism for 2 fixed DPX <sup>3</sup> 125/250 HP MCCBs
1	4 238 73	For emergency use (red/yellow)	1	4 238 28	Interlocking mechanism for 2 fixed DPX <sup>3</sup> 125/250 HP MCCBs with electronic module
		<b>Locking accessories for vari-depth handles</b> To be equipped with universal keylocks Cat.No 4 238 80/81/82/83	1	4 238 25	Plate for mounting and interlocking of 2 DPX <sup>3</sup> 125 HP
1	4 238 05	For vari-depth handle Cat.Nos 4 238 02/03 (p. 24) and 4 238 72/73			<b>Universal key locks for DPX<sup>3</sup> HP 125/250</b> Allow locking of rotary handles, draw-out mechanisms or motor-driven handles. To be used in combination with locking accessories Cat.No 4 238 05 and 4 238 04/45/46/62/63 (p. 24)
		<b>Connection accessories</b>	1	4 238 80	Key barrel and flat key with random mapping
1	4 238 34	<b>Insulated shields (phase barriers)</b> Set of 2 insulated shields for DPX <sup>3</sup> 125/250 HP 3P	1	4 238 81	Key barrel and flat key with fixed mapping EL43525
1	4 238 35	Set of 3 insulated shields for DPX <sup>3</sup> 125/250 HP 4P	1	4 238 82	Key barrel and flat key with fixed mapping EL43363
		<b>Padlock</b> For DPX <sup>3</sup> 160/250 and DPX 125/250 HP	1	4 238 83	Key barrel and star key with random mapping
1	4 210 49				
		<b>Cage terminals</b> For Cu/Al cables, 1 x 50 mm <sup>2</sup> for flexible and rigid cables			
1	4 238 74	Set of 3 terminals for DPX <sup>3</sup> 125 HP 3P			
1	4 238 75	Set of 4 terminals for DPX <sup>3</sup> 125 HP 4P			
		<b>High capacity cage terminals</b> For Cu/Al cables, 1 x 120 mm <sup>2</sup> for flexible cables and 1 x 150 mm <sup>2</sup> for rigid cable			
1	4 238 76	Set of 3 terminals for DPX <sup>3</sup> 125 HP 3P			
1	4 238 77	Set of 4 terminals for DPX <sup>3</sup> 125 HP 4P			
		<b>Spreaders</b> For incoming bars or cable lugs			
1	4 238 88	Set of 3 spreaders for DPX <sup>3</sup> 125 HP 3P			
1	4 238 89	Set of 4 spreaders for DPX <sup>3</sup> 125 HP 4P			
		<b>Rear terminals</b> Used to convert a fixed version with front terminals to a fixed version with rear terminals			
1	4 238 91	Set of 3 rear terminals for DPX <sup>3</sup> 125 HP 3P			
1	4 238 92	Set of 4 rear terminals for DPX <sup>3</sup> 125 HP 4P			

# DPX<sup>3</sup> 250 HP

thermal magnetic release MCCBs from 16 to 250 A - fixing on plate



4 230 72



4 230 87



4 231 17

Dimensions **p. 43**  
Electrical characteristics **p.45**

Moulded case MCCBs for switching, control isolation and protection of low voltage electrical lines. Can be fitted with auxiliaries (p. 25)  
Supplied with: screws for connections, fixing screws, and insulated shIELDS (phase barriers)  
Can be fitted with cage terminals 120 mm<sup>2</sup> max. (flexible cable) or 150 mm<sup>2</sup> max. rigid cable (p. 25)  
Can be mounted on plate in XL<sup>3</sup> and XL<sup>3</sup> S cabinets and enclosures  
Conform to IEC 60947-2

Pack	Cat.Nos		
			<b>MCCBs - fixed version</b>
			Thermal adjustable from 0.8 to 1 In Magnetic: fixed at 400 A for In ≤ 40 A, adjustable from 6.5 to 13 In for In = 50 A, adjustable from 5 to 10 In for In ≥ 63 A
			<b>Breaking capacity Icu 36 kA (400 V~)</b>
	3P	4P	In (A)
1	4 230 00	4 230 15	16
1	4 230 01	4 230 16	20
1	4 230 02	4 230 17	25
1	4 230 03	4 230 18	32
1	4 230 04	4 230 19	40
1	4 230 05	4 230 20	50
1	4 230 06	4 230 21	63
1	4 230 07	4 230 22	80
1	4 230 08	4 230 23	100
1	4 230 09	4 230 24	125
1	4 230 10	4 230 25	160
1	4 230 11	4 230 26	200
1	4 230 12	4 230 27	250
			<b>Breaking capacity Icu 50 kA (400 V~)</b>
1	4 230 60	4 230 75	16
1	4 230 61	4 230 76	20
1	4 230 62	4 230 77	25
1	4 230 63	4 230 78	32
1	4 230 64	4 230 79	40
1	4 230 65	4 230 80	50
1	4 230 66	4 230 81	63
1	4 230 67	4 230 82	80
1	4 230 68	4 230 83	100
1	4 230 69	4 230 84	125
1	4 230 70	4 230 85	160
1	4 230 71	4 230 86	200
1	4 230 72	4 230 87	250
			<b>Breaking capacity Icu 70 kA (400 V~)</b>
1	4 231 20	4 231 35	16
1	4 231 21	4 231 36	20
1	4 231 22	4 231 37	25
1	4 231 23	4 231 38	32
1	4 231 24	4 231 39	40
1	4 231 25	4 231 40	50
1	4 231 26	4 231 41	63
1	4 231 27	4 231 42	80
1	4 231 28	4 231 43	100
1	4 231 29	4 231 44	125
1	4 231 30	4 231 45	160
1	4 231 31	4 231 46	200
1	4 231 32	4 231 47	250
			<b>Breaking capacity Icu 100 kA (400 V~)</b>
1	4 231 50	4 231 65	16
1	4 231 51	4 231 66	20
1	4 231 52	4 231 67	25
1	4 231 53	4 231 68	32

Pack	Cat.Nos		
			<b>MCCBs - fixed version (continued)</b>
			<b>Breaking capacity Icu 100 kA (400 V~)</b> <b>(continued)</b>
	3P	4P	In (A)
1	4 231 54	4 231 69	40
1	4 231 55	4 231 70	50
1	4 231 56	4 231 71	63
1	4 231 57	4 231 72	80
1	4 231 58	4 231 73	100
1	4 231 59	4 231 74	125
1	4 231 60	4 231 75	160
1	4 231 61	4 231 76	200
1	4 231 62	4 231 77	250
			<b>MCCBs with electronic earth leakage module - fixed version</b>
			Thermal adjustable from 0.8 to 1 In Magnetic: fixed at 400 A for In ≤ 40 A, adjustable from 6.5 to 13 In for In = 50 A, adjustable from 5 to 10 In for In ≥ 63 A Equipped with earth leakage module Adjustable sensitivity: 0.03 - 0.3 - 1 - 3 A Adjustable tripping: 0 - 0.3 - 1 - 3s (with 0.03 A possible only 0s)
			<b>Breaking capacity Icu 36 kA (400 V~)</b>
	4P		In (A)
1	4 230 45		16
1	4 230 46		20
1	4 230 47		25
1	4 230 48		32
1	4 230 49		40
1	4 230 50		50
1	4 230 51		63
1	4 230 52		80
1	4 230 53		100
1	4 230 54		125
1	4 230 55		160
1	4 230 56		200
1	4 230 57		250
			<b>Breaking capacity Icu 50 kA (400 V~)</b>
1	4 231 05		16
1	4 231 06		20
1	4 231 07		25
1	4 231 08		32
1	4 231 09		40
1	4 231 10		50
1	4 231 11		63
1	4 231 12		80
1	4 231 13		100
1	4 231 14		125
1	4 231 15		160
1	4 231 16		200
1	4 231 17		250



# DPX<sup>3</sup> 250 HP

## S1 electronic release MCCBs from 40 to 250 A - fixing on plate



4 232 28

Dimensions **p. 43**  
Electrical characteristics **p. 45**

Moulded case MCCBs for switching, control isolation and protection of low voltage electrical lines. Can be fitted with auxiliaries (p. 25)  
Supplied with: screws for connection fixing screws, connection plates for bars and cable lugs and insulated shileds (phase barriers)  
Can be fitted with cage terminals 120 mm<sup>2</sup> max. (flexible cable) or 150 mm<sup>2</sup> max. rigid cable (p. 25)  
Can be mounted on plate in XL<sup>3</sup> and XL<sup>3</sup> S cabinets and enclosures  
Conform to IEC 60947-2

Pack	Cat.Nos		MCCBs - fixed version
			Protection against overloads: I <sub>r</sub> adjustable from 0.4 to 1 x I <sub>n</sub> t <sub>r</sub> adjustable from 3 to 15s Protection against short circuits: I <sub>sd</sub> adjustable from 1.5 to 10 x I <sub>r</sub> t <sub>sd</sub> adjustable from 0 to 0.5s
			<b>Breaking capacity I<sub>cu</sub> 36 kA (400 V<math>\sim</math>)</b>
			I <sub>n</sub> (A)
	3P	4P	
1	4 232 00	4 232 05	40
1	4 232 01	4 232 06	100
1	4 232 02	4 232 07	160
1	4 232 03	4 232 08	250
			<b>Breaking capacity I<sub>cu</sub> 50 kA (400 V<math>\sim</math>)</b>
1	4 232 20	4 232 25	40
1	4 232 21	4 232 26	100
1	4 232 22	4 232 27	160
1	4 232 23	4 232 28	250
			<b>Breaking capacity I<sub>cu</sub> 70 kA (400 V<math>\sim</math>)</b>
1	4 232 40	4 232 45	40
1	4 232 41	4 232 46	100
1	4 232 42	4 232 47	160
1	4 232 43	4 232 48	250
			<b>Breaking capacity I<sub>cu</sub> 100 kA (400 V<math>\sim</math>)</b>
1	4 232 50	4 232 55	40
1	4 232 51	4 232 56	100
1	4 232 52	4 232 57	160
1	4 232 53	4 232 58	250

Pack	Cat.Nos	MCCBs with electronic earth leakage module - fixed version
		Protection against overloads: I <sub>r</sub> adjustable from 0.4 to 1 x I <sub>n</sub> t <sub>r</sub> adjustable from 3 to 15s Protection against short circuits: I <sub>sd</sub> adjustable from 1.5 to 10 x I <sub>r</sub> t <sub>sd</sub> adjustable from 0 to 0.5s Equipped with earth leakage module with knobs Adjustable sensitivity: 0.03 - 0.3 - 1 - 3 A Adjustable tripping: 0 - 0.3 - 1 - 3s (with 0.03 A possible only 0s)
		<b>Breaking capacity I<sub>cu</sub> 36 kA (400 V<math>\sim</math>)</b>
		I <sub>n</sub> (A)
	4P	
1	4 232 15	40
1	4 232 16	100
1	4 232 17	160
1	4 232 18	250
		<b>Breaking capacity I<sub>cu</sub> 50 kA (400 V<math>\sim</math>)</b>
1	4 232 35	40
1	4 232 36	100
1	4 232 37	160
1	4 232 38	250

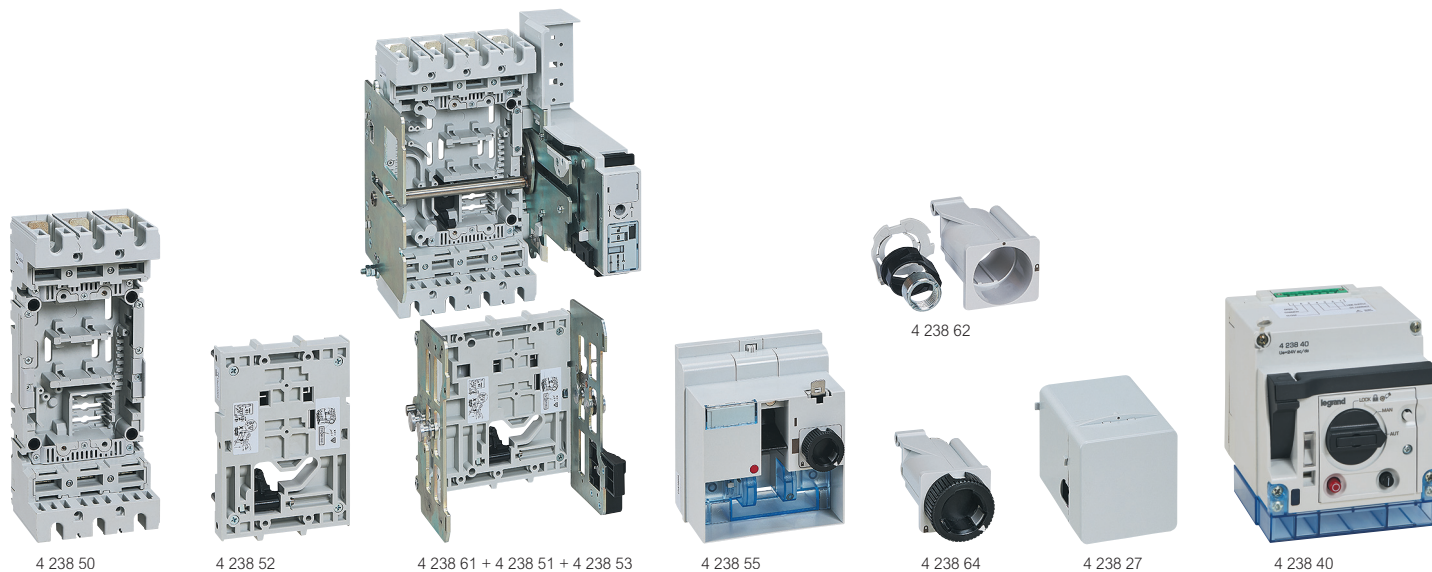
DPX<sup>3</sup>-I 250 HP trip-free switches  
**p. 38**

DPX<sup>3</sup> 250 HP magnetic release only  
**p. 39**

Signalling and control accessories  
**p. 25**

# DPX<sup>3</sup> 250 HP

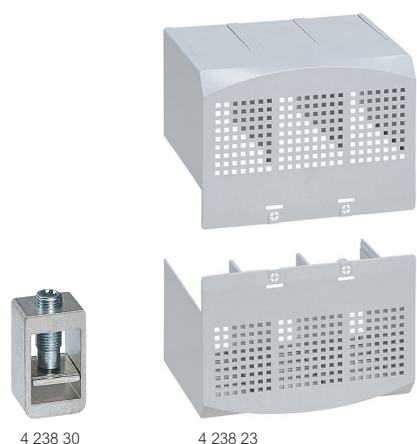
equipment and accessories



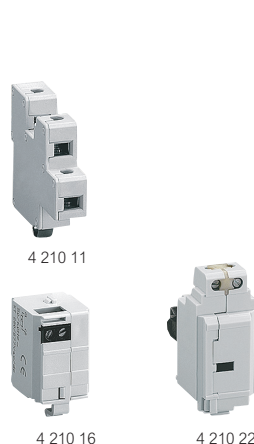
Pack	Cat.Nos		Pack	Cat.Nos	
		<b>Plug-in version</b>			<b>Mechanical interlock for transfer switches</b>
		A DPX <sup>3</sup> HP plug-in version is a DPX <sup>3</sup> HP fitted with a plug-in mobile part kit and mounted on a plug-in base	1	4 238 27	Interlocking mechanism for 2 fixed DPX <sup>3</sup> 125/250 HP MCCBs
1	4 238 50   4 238 51	<b>Plug-in bases</b>	1	4 238 28	Interlocking mechanism for 2 fixed DPX <sup>3</sup> 125/250 HP MCCBs with electronic module
		For DPX <sup>3</sup> 250 HP	1	4 238 29	Rear interlocking mechanism for 2 plug-in / draw-out DPX <sup>3</sup> 250 HP MCCBs
1	3P   4P 4 238 52   4 238 53	<b>Plug-in mobile part kit</b>	1	4 238 26	Plate for mounting and interlocking of 2 DPX <sup>3</sup> 250 HP
		For DPX <sup>3</sup> 250 HP			
1	4 238 63	<b>Locking accessory</b>			<b>Rotary handles</b>
		Locking accessory for plug-in version. To be equipped with universal keylocks Cat.No 4 238 80/81/82/83 (p. 25)			<b>Direct on DPX<sup>3</sup></b>
			1	4 238 00	Standard (grey)
			1	4 238 01	For emergency use (red/yellow)
		<b>Draw-out version</b>			<b>Vari-depth handle IP 55</b>
		A DPX <sup>3</sup> HP draw-out version is a plug-in DPX <sup>3</sup> HP fitted with a "Debro-lift mechanism" and a "Draw-out front cover mask" which can be used to withdraw the DPX <sup>3</sup> HP while keeping it on its base	1	4 238 02	Standard (grey)
1	3P/4P 4 238 60   4 238 61	<b>Debro-lift mechanism</b>	1	4 238 03	For emergency use (red/yellow)
		For DPX <sup>3</sup> 250 HP ; Supplied with handle			<b>Locking accessories for rotary handles</b>
1	4 238 55	<b>Draw-out front cover masks</b>			To be equipped with universal keylocks Cat.No 4 238 80/81/82/83 (p. 25)
1	4 238 56	For DPX <sup>3</sup> 250 HP alone	1	4 238 04	For direct handle Cat.No 4 238 00/01
		For DPX <sup>3</sup> 250 HP with motor-driven handle	1	4 238 05	For vari-depth handle Cat.Nos 4 238 02/03 and 4 238 72/73 (p. 21)
1	4 238 62	<b>Locking accessory in draw-out position</b>			<b>Auxiliary contact for rotary handles</b>
		Enable locking of DPX <sup>3</sup> 250 HP in draw-out position. To be equipped with universal keylocks Cat.No 4 238 80/81/82/83 (p. 25)	1	4 238 06	1 N/C + 1 N/O auxiliary contact for rotary handles
		<b>Padlock in draw-out position</b>			
		Enable padlocking of DPX <sup>3</sup> HP in draw-out position			<b>Motor-driven handles</b>
1	4 238 64	<b>Auxiliary contact</b>			<b>Front installation motor operators</b>
		Automatic auxiliary contact for DPX <sup>3</sup> HP draw-out version (up to 2 contacts by DPX <sup>3</sup> HP)	1	4 238 40	24 V~/=
			1	4 238 41	48 V~/=
			1	4 238 42	110 V~
			1	4 238 43	230 V~
					<b>Locking accessories for motor-driven handles</b>
1	0 098 19	<b>Set of connectors for plug-in and draw-out versions</b>	1	4 238 45	Locking accessory for motor operators Cat.Nos 4 238 40/41/42/43. To be equipped with universal keylocks Cat.No 4 238 80/81/82/83 (p. 25)
		Signalling contact plugged-in / drawn-out	1	4 238 46	Padlock for motor operators Cat.Nos 4 238 40/41/42/43
1	4 210 48	<b>Signalling contact</b>			
		For DPX <sup>3</sup> 160/250 and DPX <sup>3</sup> 250 HP plug-in versions			

## DPX<sup>3</sup> 250 HP

equipment and accessories (continued)



## DPX<sup>3</sup> 125/250 HP common auxiliaries and accessories



Pack	Cat.Nos	Connection accessories
1	4 238 34	<b>Insulated shields (phase barriers)</b>
1	4 238 35	Set of 2 insulated shields for DPX <sup>3</sup> HP 125/250 3P
1	4 238 35	Set of 3 insulated shields for DPX <sup>3</sup> HP 125/250 4P
1	4 210 49	<b>Padlock</b>
		Padlock for locking in "open" position
		For DPX <sup>3</sup> 160/250 and DPX <sup>3</sup> 125/250 HP
		<b>Cage terminals</b>
		For Cu/Al cables, 1 x 120 mm <sup>2</sup> for flexible cables and 1 x 150 mm <sup>2</sup> for rigid cable
1	4 238 30	Set of 3 terminals for DPX <sup>3</sup> 250 HP 3P
1	4 238 31	Set of 4 terminals for DPX <sup>3</sup> 250 HP 4P
1	4 238 23	<b>Sealable terminal shields (for front terminals)</b>
1	4 238 24	For DPX <sup>3</sup> 250 HP 3P
		For DPX <sup>3</sup> 250 HP 4P
		<b>Spreaders</b>
		For incoming bars or cable lugs
1	6 250 14	Set of 3 spreaders for DPX <sup>3</sup> 250 HP 3P
1	6 250 18	Set of 4 spreaders for DPX <sup>3</sup> 250 HP 4P
		<b>Rear terminals</b>
		Flat swivel terminals
		Used to convert a fixed version with front terminals to a fixed version with rear terminals
1	4 238 21	Set of 3 rear terminals for DPX <sup>3</sup> 250 HP 3P
1	4 238 22	Set of 4 rear terminals for DPX <sup>3</sup> 250 HP 4P
		<b>Universal key locks for DPX<sup>3</sup> HP 125/250</b>
		Allow locking of rotary handles, draw-out mechanisms or motor-driven handles.
		To be used in combination with locking accessories Cat.No 4 238 04/05/45/46/62/63 (p. 24)
1	4 238 80	Key barrel and flat key with random mapping
1	4 238 81	Key barrel and flat key with fixed mapping EL43525
1	4 238 82	Key barrel and flat key with fixed mapping EL43363
1	4 238 83	Key barrel and star key with random mapping

Pack	Cat.Nos	Auxiliary contact or fault signal	
1	4 210 11	Auxiliary contact or fault signalling contact	
		<b>Shunt releases</b>	
		Allow remote tripping of a DPX <sup>3</sup> /DPX <sup>3</sup> -I 160/250 and DPX <sup>3</sup> /DPX <sup>3</sup> -I 125/250 HP	
1	4 210 12	12 V $\sim$ /=	
1	4 210 13	24 V $\sim$ /=	
1	4 210 14	48 V $\sim$ /=	
1	4 210 15	110-130 V $\sim$	
1	4 210 16	200-277 V $\sim$	
1	4 210 17	380-480 V $\sim$	
		<b>Undervoltage releases</b>	
		Allow remote tripping of a DPX <sup>3</sup> /DPX <sup>3</sup> -I 160/250 and DPX <sup>3</sup> /DPX <sup>3</sup> -I 125/250 HP	
1	4 210 18	12 V $\sim$ /=	
1	4 210 19	24 V $\sim$ /=	
1	4 210 20	48 V $\sim$ /=	
1	4 210 21	110-130 V $\sim$ /=	
1	4 210 22	200-240 V $\sim$	
1	4 210 23	277 V $\sim$	
1	4 210 24	380-415 V $\sim$	
1	4 210 25	440-480 V $\sim$	
		<b>Time lag (800 ms) undervoltage release</b>	
		Allow remote tripping of a DPX <sup>3</sup> /DPX <sup>3</sup> -I	
		Prevents false tripping in the event of power supply microbreaks	
		<b>Time-lag modules</b>	
1	0 261 90	230 V $\sim$	Number of modules
1	0 261 91	400 V $\sim$	3
		<b>Release</b>	3
		To be equipped with a time-lag module	
		Cat.Nos 0 261 90/91	
1	4 210 98	For DPX <sup>3</sup> /DPX <sup>3</sup> -I 160/250 and DPX <sup>3</sup> /DPX <sup>3</sup> -I 125/250 HP	

# DPX<sup>3</sup> 630

thermal magnetic release MCCBs from 250 to 630 A - fixing on plate



4 220 02



4 220 07

Dimensions **p. 46**  
 Electrical characteristics **p. 49**

Moulded case MCCBs for switching, control isolation and protection of low voltage electrical lines

Can be fitted with auxiliaries (p. 36)

Can be used with earth leakage modules (p. 30) or with residual current relays (p. 37)

Supplied complete with:

- fixing screws
- connection plates for bars
- insulated shields (phase barriers)

Conform to IEC 60947-2 - Sealable adjustment

Can be mounted on plate in XL<sup>3</sup> and XL<sup>3</sup> S cabinets and enclosures

Pack	Cat.Nos		
			<b>MCCBs thermal magnetic release - fixed version</b>
			Thermal adjustable from 0.8 to 1 In Magnetic adjustable from 5 to 10 In
			<b>Breaking capacity Icu 36 kA (400 V~)</b>
	3P	4P	In (A)
1	4 220 00	4 220 05	250
1	4 220 01	4 220 06	320
1	4 220 02	4 220 07	400
1	4 220 03	4 220 08	500
1	4 220 04	4 220 09	630
	3P + N/2		
1	4 220 10		320
1	4 220 11		400
1	4 220 12		500
1	4 220 13		630
	3P	4P	<b>Breaking capacity Icu 50 kA (400 V~)</b>
1	4 220 14	4 220 19	250
1	4 220 15	4 220 20	320
1	4 220 16	4 220 21	400
1	4 220 17	4 220 22	500
1	4 220 18	4 220 23	630
	3P + N/2		
1	4 220 24		320
1	4 220 25		400
1	4 220 26		500
1	4 220 27		630

Pack	Cat.Nos		
			<b>MCCBs thermal magnetic release - fixed version (continued)</b>
			<b>Breaking capacity Icu 70 kA (400 V~)</b>
	3P	4P	In (A)
1	4 220 28	4 220 33	250
1	4 220 29	4 220 34	320
1	4 220 30	4 220 35	400
1	4 220 31	4 220 36	500
1	4 220 32	4 220 37	630
	3P + N/2		
1	4 220 38		320
1	4 220 39		400
1	4 220 40		500
1	4 220 41		630
	3P	4P	<b>Breaking capacity Icu 100 kA (400 V~)</b>
1	4 220 42	4 220 47	250
1	4 220 43	4 220 48	320
1	4 220 44	4 220 49	400
1	4 220 45	4 220 50	500
1	4 220 46	4 220 51	630
	3P + N/2		
1	4 220 52		320
1	4 220 53		400
1	4 220 54		500
1	4 220 55		630

DPX<sup>3</sup>-I 630 trip-free switches  
**p. 38**

DPX<sup>3</sup> 630 magnetic release only  
**p. 39**

# DPX<sup>3</sup> 630

S1 electronic release MCCBs from 250 to 630 A - fixing on plate



4 225 15

Dimensions **p. 46**  
 Electrical characteristics **p. 49**

Moulded case MCCBs for switching, control isolation and protection of low voltage electrical lines  
 Can be fitted with auxiliaries (p. 36)  
 Can be used with earth leakage modules (p. 30) or with residual current relays (p. 37)  
 Do not accept DPX<sup>3</sup> electronic interface for Modbus Cat.No 4 210 75 (p. 36)  
 Supplied complete with:  
 - fixing screws  
 - connection plates for bars  
 - insulated shields (phase barriers)  
 Conform to IEC 60947-2 - Sealable adjustment  
 Can be mounted on plate in XL<sup>3</sup> and XL<sup>3</sup> S cabinets and enclosures

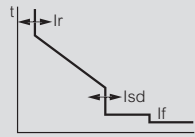
Pack	Cat.Nos		MCCBs electronic release S1 - fixed version
			<b>Breaking capacity Icu 36 kA (400 V~)</b> In (A) 250 320 400 500 630
	3P	4P	
1	4 224 98	4 225 03	
1	4 224 99	4 225 04	
1	4 225 00	4 225 05	
1	4 225 01	4 225 06	
1	4 225 02	4 225 07	
			<b>Breaking capacity Icu 50 kA (400 V~)</b> 250 320 400 500 630
			<b>Breaking capacity Icu 70 kA (400 V~)</b> 250 320 400 500 630
			<b>Breaking capacity Icu 100 kA (400 V~)</b> 250 320 400 500 630

# DPX<sup>3</sup> 630/1600

electronic release

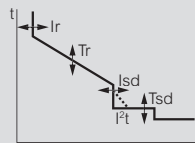
## Performance data

### S1 - Adjustment of Ir, Isd



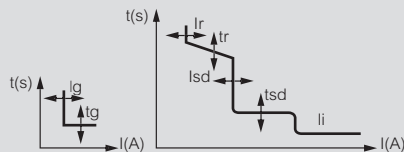
Protection against overloads:  
 - Ir adjustable from 0.4 to 1 x In  
 Protection against short circuits:  
 - Isd adjustable from 1.5 to 10 x Ir  
 Instantaneous protection If = 5 kA

### S2 - Adjustment of Ir, tr, Isd, tsd



Protection against overloads:  
 - Ir adjustable from 0.4 to 1 x In  
 - tr adjustable from 3 to 15 s  
 Protection against short circuits:  
 - Isd adjustable from 1.5 to 10 x Ir  
 - tsd adjustable from 0 to 0.5 s

### Sg - Adjustment of Ir, tr, Isd, tsd, Ig, tg



Protection against overloads:  
 - Ir adjustable from 0.4 to 1 x In  
 - tr adjustable from 3 to 15 s  
 Protection against short circuits:  
 - Isd adjustable from 1.5 to 10 x Ir  
 - tsd adjustable from 0 to 0.5 s  
 Protection against earth fault:  
 - Ig adjustable: from 0.2 to 1 x In and OFF position  
 - tg adjustable from 0.1 to 1 s

# DPX<sup>3</sup> 630

## S2 electronic release MCCBs from 250 to 630 A - fixing on plate



4 220 60



4 220 65

Dimensions **p. 46**  
 Electrical characteristics **p. 49**

Moulded case MCCBs for switching, control isolation and protection of low voltage electrical lines

Can be fitted with auxiliaries (p. 36)

Can be used with earth leakage modules (p. 30) or with residual current relays (p. 37)

Supplied complete with:

- fixing screws
- connection plates for bars
- insulated shields (phase barriers)

Conform to IEC 60947-2 - Sealable adjustment

Can be mounted on plate in XL<sup>3</sup> and XL<sup>3</sup> S cabinets and enclosures

Pack	Cat.Nos		MCCBs electronic release S2 - fixed version
			<b>Breaking capacity I<sub>cu</sub> 36 kA (400 V~)</b>
			In (A)
	3P	4P	
1	4 220 56	4 220 61	250
1	4 220 57	4 220 62	320
1	4 220 58	4 220 63	400
1	4 220 59	4 220 64	500
1	4 220 60	4 220 65	630
			<b>Breaking capacity I<sub>cu</sub> 50 kA (400 V~)</b>
1	4 220 66	4 220 71	250
1	4 220 67	4 220 72	320
1	4 220 68	4 220 73	400
1	4 220 69	4 220 74	500
1	4 220 70	4 220 75	630
			<b>Breaking capacity I<sub>cu</sub> 70 kA (400 V~)</b>
1	4 220 76	4 220 81	250
1	4 220 77	4 220 82	320
1	4 220 78	4 220 83	400
1	4 220 79	4 220 84	500
1	4 220 80	4 220 85	630
			<b>Breaking capacity I<sub>cu</sub> 100 kA (400 V~)</b>
1	4 220 86	4 220 91	250
1	4 220 87	4 220 92	320
1	4 220 88	4 220 93	400
1	4 220 89	4 220 94	500
1	4 220 90	4 220 95	630

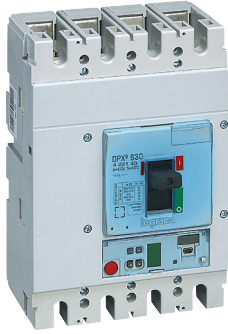
Pack	Cat.Nos		MCCBs electronic release S2 with energy metering central unit - fixed version
			<b>Breaking capacity I<sub>cu</sub> 36 kA (400 V~)</b>
			In (A)
	3P	4P	
1	4 220 96	4 221 01	250
1	4 220 97	4 221 02	320
1	4 220 98	4 221 03	400
1	4 220 99	4 221 04	500
1	4 221 00	4 221 05	630
			<b>Breaking capacity I<sub>cu</sub> 50 kA (400 V~)</b>
1	4 221 06	4 221 11	250
1	4 221 07	4 221 12	320
1	4 221 08	4 221 13	400
1	4 221 09	4 221 14	500
1	4 221 10	4 221 15	630
			<b>Breaking capacity I<sub>cu</sub> 70 kA (400 V~)</b>
1	4 221 16	4 221 21	250
1	4 221 17	4 221 22	320
1	4 221 18	4 221 23	400
1	4 221 19	4 221 24	500
1	4 221 20	4 221 25	630
			<b>Breaking capacity I<sub>cu</sub> 100 kA (400 V~)</b>
1	4 221 26	4 221 31	250
1	4 221 27	4 221 32	320
1	4 221 28	4 221 33	400
1	4 221 29	4 221 34	500
1	4 221 30	4 221 35	630

# DPX<sup>3</sup> 630

## Sg electronic release MCCBs from 250 to 630 A - fixing on plate



4 221 38



4 221 43

Dimensions **p. 46**  
 Electrical characteristics **p. 49**

Moulded case MCCBs for switching, control isolation and protection of low voltage electrical lines

Can be fitted with auxiliaries (p. 36)

Can be used with earth leakage modules (p. 30) or with residual current relays (p. 37)

Supplied complete with:

- fixing screws
- connection plates for bars
- insulated shields (phase barriers)

Conform to IEC 60947-2 - Sealable adjustment

Can be mounted on plate in XL<sup>3</sup> and XL<sup>3</sup> S cabinets and enclosures

Pack	Cat.Nos		
			<b>MCCBs electronic release Sg - fixed version</b>
			Adjustment of I <sub>r</sub> , I <sub>sd</sub> , I <sub>g</sub> , t <sub>r</sub> , t <sub>sd</sub> , t <sub>g</sub> (p. 19) Instantaneous protection I <sub>f</sub> = 5 kA Green indicator lamp Connector for test unit Logic and dynamic selectivity 4P version: adjustment of neutral on front panel
			<b>Breaking capacity I<sub>cu</sub> 36 kA (400 V~)</b>
	3P	4P	I <sub>n</sub> (A)
1	4 221 36	4 221 41	250
1	4 221 37	4 221 42	320
1	4 221 38	4 221 43	400
1	4 221 39	4 221 44	500
1	4 221 40	4 221 45	630
			<b>Breaking capacity I<sub>cu</sub> 50 kA (400 V~)</b>
1	4 221 46	4 221 51	250
1	4 221 47	4 221 52	320
1	4 221 48	4 221 53	400
1	4 221 49	4 221 54	500
1	4 221 50	4 221 55	630
			<b>Breaking capacity I<sub>cu</sub> 70 kA (400 V~)</b>
1	4 221 56	4 221 61	250
1	4 221 57	4 221 62	320
1	4 221 58	4 221 63	400
1	4 221 59	4 221 64	500
1	4 221 60	4 221 65	630
			<b>Breaking capacity I<sub>cu</sub> 100 kA (400 V~)</b>
1	4 221 66	4 221 71	250
1	4 221 67	4 221 72	320
1	4 221 68	4 221 73	400
1	4 221 69	4 221 74	500
1	4 221 70	4 221 75	630

Pack	Cat.Nos		
			<b>MCCBs electronic release Sg with energy metering central unit - fixed version</b>
			Adjustment of I <sub>r</sub> , I <sub>sd</sub> , I <sub>g</sub> , t <sub>r</sub> , t <sub>sd</sub> , t <sub>g</sub> (p. 19) Instantaneous protection I <sub>f</sub> = 5 kA Green indicator lamp Connector for test unit Logic and dynamic selectivity 4P version: adjustment of neutral on front panel
			<b>Breaking capacity I<sub>cu</sub> 36 kA (400 V~)</b>
	3P	4P	I <sub>n</sub> (A)
1	4 221 76	4 221 81	250
1	4 221 77	4 221 82	320
1	4 221 78	4 221 83	400
1	4 221 79	4 221 84	500
1	4 221 80	4 221 85	630
			<b>Breaking capacity I<sub>cu</sub> 50 kA (400 V~)</b>
1	4 221 86	4 221 91	250
1	4 221 87	4 221 92	320
1	4 221 88	4 221 93	400
1	4 221 89	4 221 94	500
1	4 221 90	4 221 95	630
			<b>Breaking capacity I<sub>cu</sub> 70 kA (400 V~)</b>
1	4 221 96	4 222 01	250
1	4 221 97	4 222 02	320
1	4 221 98	4 222 03	400
1	4 221 99	4 222 04	500
1	4 222 00	4 222 05	630
			<b>Breaking capacity I<sub>cu</sub> 100 kA (400 V~)</b>
1	4 222 06	4 222 11	250
1	4 222 07	4 222 12	320
1	4 222 08	4 222 13	400
1	4 222 09	4 222 14	500
1	4 222 10	4 222 15	630

## DPX<sup>3</sup> 630

earth leakage modules

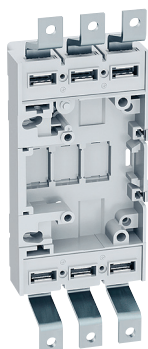


0 260 63

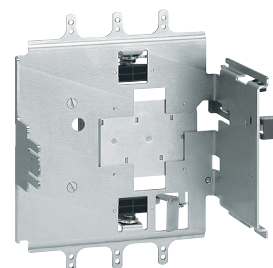
Pack	Cat.Nos		Earth leakage modules
			Can be fitted onto DPX <sup>3</sup> /DPX <sup>3</sup> -I 630 Adjustable, sealable sensitivity: 0.03 - 0.3 - 1 - 3 A Adjustable, time delay: 0 - 0.3 - 1 - 3 s Test push-button Reset push-button Remote earth fault signalling contact Switch for mechanical tests (installation insulation test) Mounted underneath 230-500 V~
			<b>Standard</b>
			In (A)
1	3P 0 260 60	4P 0 260 61	400
1	0 260 64	0 260 65	630
			<b>LED version</b>
			Monitors the isolation state of the installation via a series of LEDs
			In (A)
1	4P 0 260 63		400
1	0 260 67		630

## DPX<sup>3</sup> 630

equipment and accessories



4 222 22



4 222 32

Pack	Cat.Nos		Plug-in version
			A plug-in is a DPX <sup>3</sup> fitted with special terminals and mounted on a plug-in base
			<b>Special terminals for plug-in/draw-out base</b>
			Set of incoming and outgoing terminals (6 terminals for 3P DPX <sup>3</sup> or 8 terminals for 4P DPX <sup>3</sup> )
			<b>Bases for DPX<sup>3</sup> only</b>
			Accept DPX <sup>3</sup> /DPX <sup>3</sup> -I fitted with special terminals
			Front terminal mounting base
			Flat rear terminal mounting base
			<b>Bases for DPX<sup>3</sup> with earth leakage module</b>
			Front terminal mounting base
			Flat rear terminal mounting base
			<b>Accessories</b>
			Set of 2 extractor handle
			Set of connectors (24-pin)
			<b>Draw-out version</b>
			A DPX <sup>3</sup> draw-out version is a plug-in DPX <sup>3</sup> fitted with a "Debro-lift" mechanism which can be used to withdraw the DPX <sup>3</sup> while keeping it on its base
			<b>"Debro-lift" mechanism</b>
			Supplied with a rigid slide and handle for drawing-out
			For DPX <sup>3</sup> base only
			For DPX <sup>3</sup> base with earth leakage module
			<b>Key-lock for "Debro-lift" mechanism</b>
			Enable locking of DPX <sup>3</sup> in drawn-out position
			Flat key n°HBA90GPS6149
			Star key n°ABA90GEL6149
			One key for DPX <sup>3</sup> only
			One key for motorised DPX <sup>3</sup> or with rotary handle
			<b>Accessories for "Debro-lift" mechanism</b>
			Handle for drawing-out
			Signalling contact (plugged-in/drawn-out)
			<b>Auxiliary contacts</b>
			Automatic auxiliary contacts for DPX <sup>3</sup> draw-out version (up to 2 contacts by DPX <sup>3</sup> )
			<b>Plates for transfer switches</b>
			Factory assembled
			A transfer switch plate is composed of one plate with interlock for 2 devices
			Plate for MCCB or trip-free switch fixed version
			Plate for MCCB or trip-free switch plug-in and draw-out version



# DPX<sup>3</sup> 630

## equipment and accessories (continued)



4 226 30



0 261 40



0 262 50



0 262 48

Pack	Cat.Nos	Rotary handles
1	0 262 41	<b>Direct on DPX<sup>3</sup></b>
1	4 222 38	Standard (grey) For emergency use (red/yellow) - can be fitted on Cat.Nos 0 262 22, 0 262 41 or 0 262 81
		<b>Vari-depth handle IP 55</b>
		Comprising: connection rod, bracket, self-adhesive drilling template, mounting accessories and door lock mechanism
1	0 262 81	Standard (grey)
1	0 262 82	For emergency use (red/yellow) can be fitted on Cat.Nos 0 262 81 or 0 262 41
		<b>Locking accessories</b>
		For vary-depth handle
1	4 228 04	Key barrel and Ronis key EL43525
1	4 228 05	Key barrel and Ronis key EL43363
1	0 262 93	Key barrel and flat key N° ABA90GEL6149
1	0 262 94	Key barrel and star key N° HBA90GPS6149
		<b>Motor-driven handles</b>
		<b>Front installation</b>
1	4 226 30	230 V~
		<b>Front installation - fast closing</b>
1	0 261 40	24 V~/=
1	0 261 41	48 V~/=
1	0 261 44	230 V~
		<b>Accessories</b>
1	0 261 59	Lock and flat key N° ABA90GEL6149
1	0 261 58	Lock and star key N° HBA90GPS6149

Pack	Cat.Nos	Accessories
		<b>Insulated shields (phase barriers)</b>
1	0 262 30	Set of 3
		<b>Sealable terminal shields</b>
1	0 262 44   0 262 45	Set of 2 3P   4P
		<b>Padlock</b>
1	0 262 40	For locking in "OPEN" position
		<b>Cage terminals</b>
1	0 262 50	Set of 4 terminals for cable 300 mm <sup>2</sup> max. (rigid) or 240 mm <sup>2</sup> max. (flexible)
1	0 262 51	Set of 4 high-capacity terminals for cable 2 x 240 mm <sup>2</sup> (rigid) or 2 x 185 mm <sup>2</sup> (flexible)
		<b>Adaptor for lug</b>
1	0 262 46	For connecting bare cables with wide lugs Set of 4 adaptors + insulated shields
		<b>Extended front terminals</b>
1	0 262 47	Set of 4
		<b>Spreaders</b>
1	0 262 48   0 262 49	Set of incoming or outgoing spreaders 3P   4P
		<b>Rear terminals</b>
		Used to convert the fixed version with front terminals to the fixed version with rear terminals
1	0 263 52   0 263 53	Set of incoming or outgoing flat terminals
		<b>IP 20 terminal covers</b>
1	4 222 34   4 222 35	Set of 2 terminal covers

## DPX<sup>3</sup> 1600 thermal magnetic release MCCBs

from 630 to 1250 A - fixing on plate



4 222 78



4 222 83

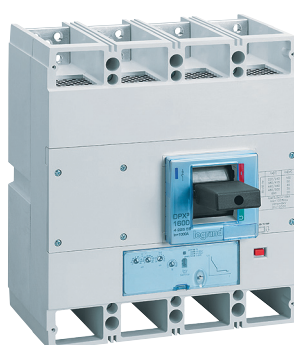
Dimensions **p. 48**  
 Electrical characteristics **p. 49**

Moulded case MCCBs for switching, control isolation and protection of low voltage electrical lines  
 Can be fitted with auxiliaries (p. 36)  
 Can be used with residual current relays (p. 37)  
 Supplied complete with:  
 - connection plates for bars  
 - insulated shields (phase barriers)  
 Conform to IEC 60947-2 - Sealable adjustment  
 Can be mounted on plate in XL<sup>3</sup> and XL<sup>3</sup> S cabinets and enclosures

Pack	Cat.Nos		
			<b>MCCBs thermal magnetic release fixed version</b>
			Thermal adjustable from 0.8 to 1 In Magnetic adjustable from 5 to 10 In
			<b>Breaking capacity Icu 36 kA (400 V~)</b>
	3P	4P	In (A)
1	4 222 51	4 222 56	630
1	4 222 52	4 222 57	800
1	4 222 53	4 222 58	1000
1	4 222 54	4 222 59	1250
	3P + N/2		
1	4 222 60		1000
1	4 222 61		1250
	3P	4P	<b>Breaking capacity Icu 50 kA (400 V~)</b>
1	4 222 63	4 222 68	630
1	4 222 64	4 222 69	800
1	4 222 65	4 222 70	1000
1	4 222 66	4 222 71	1250
	3P + N/2		
1	4 222 72		1000
1	4 222 73		1250
	3P	4P	<b>Breaking capacity Icu 70 kA (400 V~)</b>
1	4 222 75	4 222 80	630
1	4 222 76	4 222 81	800
1	4 222 77	4 222 82	1000
1	4 222 78	4 222 83	1250
	3P + N/2		
1	4 222 84		1000
1	4 222 85		1250
	3P	4P	<b>Breaking capacity Icu 100 kA (400 V~)</b>
1	4 222 87	4 222 92	630
1	4 222 88	4 222 93	800
1	4 222 89	4 222 94	1000
1	4 222 90	4 222 95	1250
	3P + N/2		
1	4 222 96		1000
1	4 222 97		1250

## DPX<sup>3</sup> 1600

S1 electronic release MCCBs from 630 to 1600 A - fixing on plate



4 225 59

Dimensions **p. 48**  
 Electrical characteristics **p. 49**

Moulded case MCCBs for switching, control isolation and protection of low voltage electrical lines  
 Can be fitted with auxiliaries (p. 36)  
 Can be used with residual current relays (p. 37)  
 Do not accept DPX<sup>3</sup> electronic interface for Modbus Cat.No 4 210 75 (p. 36)  
 Supplied complete with:  
 - connection plates for bars  
 - insulated shields (phase barriers)  
 Conform to IEC 60947-2 - Sealable adjustment  
 Can be mounted on plate in XL<sup>3</sup> and XL<sup>3</sup> S cabinets and enclosures

Pack	Cat.Nos		
			<b>MCCBs electronic release S1 fixed version</b>
			Adjustment of Ir, I <sub>sd</sub> (p. 19) Instantaneous protection I <sub>f</sub> = 20 kA Green indicator lamp Connector for test unit Dynamic selectivity 4P version: adjustment of neutral on front panel
			<b>Breaking capacity Icu 36 kA (400 V~)</b>
	3P	4P	In (A)
1	4 225 39	4 225 45	630
1	4 225 40	4 225 46	800
1	4 225 41	4 225 47	1000
1	4 225 42	4 225 48	1250
1	4 225 43	4 225 49	1600
	3P	4P	<b>Breaking capacity Icu 50 kA (400 V~)</b>
1	4 225 51	4 225 57	630
1	4 225 52	4 225 58	800
1	4 225 53	4 225 59	1000
1	4 225 54	4 225 60	1250
1	4 225 55	4 225 61	1600
	3P	4P	<b>Breaking capacity Icu 70 kA (400 V~)</b>
1	4 225 63	4 225 69	630
1	4 225 64	4 225 70	800
1	4 225 65	4 225 71	1000
1	4 225 66	4 225 72	1250
1	4 225 67	4 225 73	1600
	3P	4P	<b>Breaking capacity Icu 100 kA (400 V~)</b>
1	4 225 75	4 225 81	630
1	4 225 76	4 225 82	800
1	4 225 77	4 225 83	1000
1	4 225 78	4 225 84	1250

DPX<sup>3</sup>-I 1600 trip-free switches  
**p. 38**

DPX<sup>3</sup> 1600 magnetic release only  
**p. 39**

# DPX<sup>3</sup> 1600

## S2 electronic release MCCBs from 630 to 1600 A - fixing on plate



4 223 27



4 223 33

Dimensions **p. 48**  
 Electrical characteristics **p. 49**

Moulded case MCCBs for switching, control isolation and protection of low voltage electrical lines

Can be fitted with auxiliaries (p. 36)

Can be used with residual current relays (p. 37)

Supplied complete with:

- connection plates for bars

- insulated shields (phase barriers)

Conform to IEC 60947-2 - Sealable adjustment

Can be mounted on plate in XL<sup>3</sup> and XL<sup>3</sup> S cabinets and enclosures

Pack	Cat.Nos		
			<b>MCCBs electronic release S2 fixed version</b>
			Adjustment of $I_r$ , $I_{sd}$ , $t_r$ , $t_{sd}$ (p. 19) Instantaneous protection $I_f = 20$ kA Green indicator lamp Connector for test unit Logic and dynamic selectivity 4P version: adjustment of neutral on front panel
			<b>Breaking capacity <math>I_{cu}</math> 36 kA (400 V~)</b>
	3P	4P	$I_n$ (A)
1	4 222 99	4 223 05	630
1	4 223 00	4 223 06	800
1	4 223 01	4 223 07	1000
1	4 223 02	4 223 08	1250
1	4 223 03	4 223 09	1600
			<b>Breaking capacity <math>I_{cu}</math> 50 kA (400 V~)</b>
1	4 223 11	4 223 17	630
1	4 223 12	4 223 18	800
1	4 223 13	4 223 19	1000
1	4 223 14	4 223 20	1250
1	4 223 15	4 223 21	1600
			<b>Breaking capacity <math>I_{cu}</math> 70 kA (400 V~)</b>
1	4 223 23	4 223 29	630
1	4 223 24	4 223 30	800
1	4 223 25	4 223 31	1000
1	4 223 26	4 223 32	1250
1	4 223 27	4 223 33	1600
			<b>Breaking capacity <math>I_{cu}</math> 100 kA (400 V~)</b>
1	4 223 35	4 223 41	630
1	4 223 36	4 223 42	800
1	4 223 37	4 223 43	1000
1	4 223 38	4 223 44	1250

Pack	Cat.Nos		
			<b>MCCBs electronic release S2 with energy metering central unit fixed version</b>
			Adjustment of $I_r$ , $I_{sd}$ , $t_r$ , $t_{sd}$ (p. 19) Instantaneous protection $I_f = 20$ kA Green indicator lamp Connector for test unit Logic and dynamic selectivity 4P version: adjustment of neutral on front panel
			<b>Breaking capacity <math>I_{cu}</math> 36 kA (400 V~)</b>
	3P	4P	$I_n$ (A)
1	4 223 47	4 223 53	630
1	4 223 48	4 223 54	800
1	4 223 49	4 223 55	1000
1	4 223 50	4 223 56	1250
1	4 223 51	4 223 57	1600
			<b>Breaking capacity <math>I_{cu}</math> 50 kA (400 V~)</b>
1	4 223 59	4 223 65	630
1	4 223 60	4 223 66	800
1	4 223 61	4 223 67	1000
1	4 223 62	4 223 68	1250
1	4 223 63	4 223 69	1600
			<b>Breaking capacity <math>I_{cu}</math> 70 kA (400 V~)</b>
1	4 223 71	4 223 77	630
1	4 223 72	4 223 78	800
1	4 223 73	4 223 79	1000
1	4 223 74	4 223 80	1250
1	4 223 75	4 223 81	1600
			<b>Breaking capacity <math>I_{cu}</math> 100 kA (400 V~)</b>
1	4 223 83	4 223 89	630
1	4 223 84	4 223 90	800
1	4 223 85	4 223 91	1000
1	4 223 86	4 223 92	1250

## DPX<sup>3</sup> 1600

Sg electronic release MCCBs from 630 to 1600 A - fixing on plate



4 224 23



4 224 29

Dimensions **p. 48**  
 Electrical characteristics **p. 49**

Moulded case MCCBs for switching, control isolation and protection of low voltage electrical lines

Can be fitted with auxiliaries (p. 36)

Can be used with residual current relays (p. 37)

Supplied complete with:

- connection plates for bars
- insulated shields (phase barriers)

Conform to IEC 60947-2 - Sealable adjustment

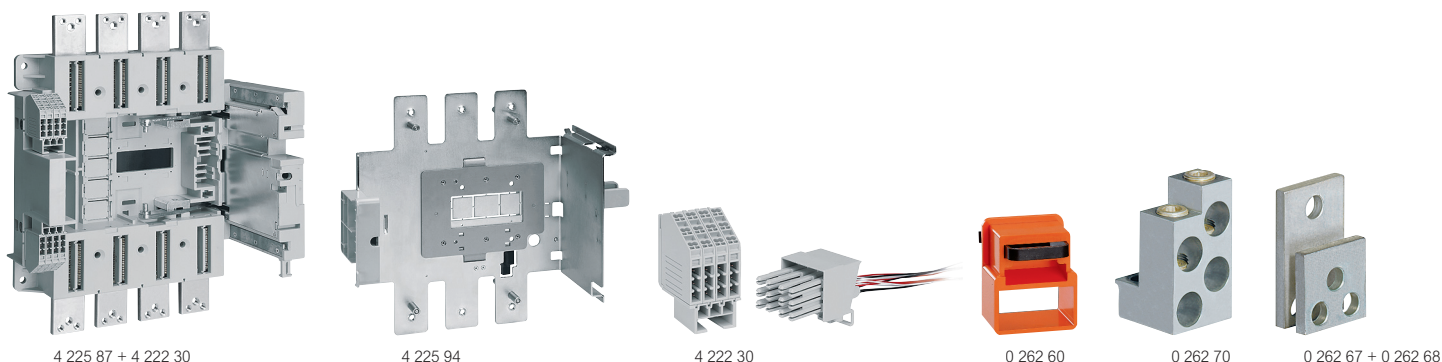
Can be mounted on plate in XL<sup>3</sup> and XL<sup>3</sup> S cabinets and enclosures

Pack	Cat.Nos		MCCBs electronic release Sg fixed version
			<b>Breaking capacity I<sub>cu</sub> 36 kA (400 V~)</b>
		In (A)	
	3P	4P	
1	4 223 95	4 224 01	630
1	4 223 96	4 224 02	800
1	4 223 97	4 224 03	1000
1	4 223 98	4 224 04	1250
1	4 223 99	4 224 05	1600
			<b>Breaking capacity I<sub>cu</sub> 50 kA (400 V~)</b>
1	4 224 07	4 224 13	630
1	4 224 08	4 224 14	800
1	4 224 09	4 224 15	1000
1	4 224 10	4 224 16	1250
1	4 224 11	4 224 17	1600
			<b>Breaking capacity I<sub>cu</sub> 70 kA (400 V~)</b>
1	4 224 19	4 224 25	630
1	4 224 20	4 224 26	800
1	4 224 21	4 224 27	1000
1	4 224 22	4 224 28	1250
1	4 224 23	4 224 29	1600
			<b>Breaking capacity I<sub>cu</sub> 100 kA (400 V~)</b>
1	4 224 31	4 224 37	630
1	4 224 32	4 224 38	800
1	4 224 33	4 224 39	1000
1	4 224 34	4 224 40	1250

Pack	Cat.Nos		MCCBs electronic release Sg with energy metering central unit fixed version
			<b>Breaking capacity I<sub>cu</sub> 36 kA (400 V~)</b>
		In (A)	
	3P	4P	
1	4 224 43	4 224 49	630
1	4 224 44	4 224 50	800
1	4 224 45	4 224 51	1000
1	4 224 46	4 224 52	1250
1	4 224 47	4 224 53	1600
			<b>Breaking capacity I<sub>cu</sub> 50 kA (400 V~)</b>
1	4 224 55	4 224 61	630
1	4 224 56	4 224 62	800
1	4 224 57	4 224 63	1000
1	4 224 58	4 224 64	1250
1	4 224 59	4 224 65	1600
			<b>Breaking capacity I<sub>cu</sub> 70 kA (400 V~)</b>
1	4 224 67	4 224 73	630
1	4 224 68	4 224 74	800
1	4 224 69	4 224 75	1000
1	4 224 70	4 224 76	1250
1	4 224 71	4 224 77	1600
			<b>Breaking capacity I<sub>cu</sub> 100 kA (400 V~)</b>
1	4 224 79	4 224 85	630
1	4 224 80	4 224 86	800
1	4 224 81	4 224 87	1000
1	4 224 82	4 224 88	1250

# DPX<sup>3</sup> 1600

## equipment and accessories



Pack	Cat.Nos	Draw-out version	Pack	Cat.Nos	Motor-driven handles
		A DPX <sup>3</sup> draw-out version is a DPX <sup>3</sup> fitted with draw-out base and a "Debro-lift" mechanism which can be used to withdraw the DPX <sup>3</sup> while keeping it on its base			<b>Factory assembled</b> Front operated 230 V~
		<b>Draw-out base</b> For DPX <sup>3</sup> 1600 equipped with "Debro-lift" mechanism Cat.No 4 225 93 or 4 225 94			<b>Customer assembled</b> Front operated
1	3P   4P 4 225 86   4 225 87	Front terminals	1	0 261 24	24 V~ / = for I <sub>n</sub> ≤ 1250 A
1	4 225 88   4 225 89	Rear terminals	1	0 261 25	48 V~ / = for I <sub>n</sub> ≤ 1250 A
		<b>Debro-lift mechanism</b> For DPX <sup>3</sup> 1600 To be fitted on a DPX <sup>3</sup> 1600 fixed version in order to obtain the movable part of a draw-out circuit breaker	1	0 261 26	110 V~ / = for I <sub>n</sub> ≤ 1250 A
1	4 225 93   4 225 94	<b>Key-lock for "Debro-lift" mechanism</b> Enable locking of DPX <sup>3</sup> in drawn-out position Flat key n°HBA90GPS6149 Star key n°ABA90GEL6149	1	0 261 23	230 V~ / = for I <sub>n</sub> ≤ 1250 A
		One key for DPX <sup>3</sup> only	1	0 261 19	24 V~ / = for I <sub>n</sub> = 1600 A
1	Flat key   Star key 0 265 76   0 263 48	<b>Accessories for "Debro-lift" mechanism</b> Handle for drawing-out	1	0 261 28	48 V~ / = for I <sub>n</sub> = 1600 A
1	0 265 80   0 265 79	Signalling contact (plugged-in/drawn-out)	1	0 261 29	110 V~ / = for I <sub>n</sub> = 1600 A
		<b>Auxiliary contacts</b> Automatic auxiliary contacts for DPX <sup>3</sup> draw-out version (up to 2 contacts by DPX <sup>3</sup> )	1	0 261 27	230 V~ / = for I <sub>n</sub> = 1600 A
1	0 265 75				<b>Locking accessories</b> Key and flat key N° ABA90GEL6149 Key and star key N° HBA90GPS6149
1	0 265 74		1	0 261 59	
		<b>Plates for transfer switches</b> A transfer switch plate is composed of one plate with interlock for 2 devices	1	0 261 58	
1	0 264 10	Plate for MCCBs or trip-free switch fixed version			<b>Accessories</b>
1	0 264 05	Plate for MCCBs or trip-free switch plug-in and draw-out version			<b>Insulated shields (phase barriers)</b> Used to isolate the connections between each pole Set of 3
		<b>Rotary handles</b>	1	0 262 66	
1	0 262 61	<b>Direct on DPX<sup>3</sup></b> Standard (black)			<b>Sealable terminal shields</b> Set of 2
		<b>Vari-depth handle IP 55</b> Comprising: connection rod, bracket, self-adhesive drilling template, mounting accessories and door lock mechanism	1	3P   4P 0 262 64   0 262 65	
1	0 262 83	Standard (black)	1	0 262 60	<b>Padlock</b> For locking in "open" position
1	0 262 84	For emergency use (red/yellow)	1	0 262 69	<b>Cage terminals</b> Set of 1 terminal for cables without lug 2 x 240 mm <sup>2</sup> for rigid cable or 2 x 185 mm <sup>2</sup> for flexible cable
		<b>Locking accessories</b> Key barrel and flat key N° ABA90GEL6149 Key barrel and star key N° HBA90GPS6149	1	0 262 70	Set of 1 high-capacity terminal for cables without lug 4 x 240 mm <sup>2</sup> for rigid cable 4 x 185 mm <sup>2</sup> for flexible cable
1	0 262 93				<b>Extended front terminals</b> Set of 4 Short terminals for 630 - 1250 A (2 bars max. per pole)
1	0 262 94		1	0 262 67	Long terminals for 1600 A (3 bars max. per pole)
			1	0 262 68	
			1	3P   4P 0 262 73   0 262 74	<b>Spreaders</b> Set of incoming or outgoing spreaders
					<b>Rear terminals</b> Used to convert the fixed version with front terminals to the fixed version with rear terminals Set of incoming or outgoing rear terminals Short terminals
			1	0 263 80   0 263 82	Long terminals
			1	0 263 81   0 263 83	
			1	4 225 90   4 225 91	<b>IP 20 terminal covers</b> Set of 2 terminal covers
			1	4 225 92	<b>External neutral</b> External neutral

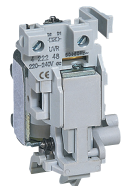
For the old range of accessories for DPX 1600 draw-out version  
**Please, consult us**

## DPX<sup>3</sup> 630 and 1600

common auxiliaries



4 222 42



4 222 48

Pack	Cat.Nos	Auxiliary contact or fault signal
1	4 210 11	For signalling the state of the contacts or opening of the MCCB on a fault For DPX <sup>3</sup> /DPX <sup>3</sup> -I Changeover switch 3 A - 240 V~
<b>Shunt releases</b>		
Allow remote tripping of a DPX <sup>3</sup> or DPX <sup>3</sup> -I 630 and DPX <sup>3</sup> 1600 Shunt inrush power 300 VA		
1	4 222 39	Coil voltage 24 V~ / =
1	4 222 40	Coil voltage 48 V~ / =
1	4 222 41	Coil voltage 110 V~ / =
1	4 222 42	Coil voltage 230 V~ / =
1	4 222 43	Coil voltage 400 V~ / =
<b>Undervoltage releases</b>		
Allow remote tripping of a DPX <sup>3</sup> or DPX <sup>3</sup> -I 630 and 1600 Consumption: 5 VA		
1	4 222 44	24 V=
1	4 222 45	24 V~
1	4 222 46	48 V=
1	4 222 47	110-125 V~
1	4 222 48	220-240 V~
1	4 222 49	380-415 V~
<b>Time-lag (800 ms) undervoltage release</b>		
Allow remote tripping of a DPX <sup>3</sup> /DPX <sup>3</sup> -I 630 or 1600 Prevents false tripping in the event of power supply microbreaks		
<b>Time-lag modules</b>		
		Number of modules
1	0 261 90	230 V~   3
1	0 261 91	400 V~   3
<b>Release</b>		
To be equipped with a time-lag module Cat.Nos 0 261 90/91		
1	4 226 23	For DPX <sup>3</sup> /DPX <sup>3</sup> -I 630 and 1600

## DPX<sup>3</sup> 160 / 250 / 250 HP / 630 / 1600

power supervision system



0 261 56

Pack	Cat.Nos	Auxiliary power supply for DPX <sup>3</sup>
1	4 210 83	For supplying DPX <sup>3</sup> electronic units when the circuit breaker is open or when the current passing through it is insufficient Input voltage 24 V~ / = 2 modules Output 250 mA: can supply several circuit breakers Consumption: - Electronic DPX <sup>3</sup> (S2/Sg): 50 mA - Electronic DPX <sup>3</sup> with measurement (S2/Sg): 62.5 mA - Electronic DPX <sup>3</sup> with residual current protection (S2): 50 mA - Electronic DPX <sup>3</sup> with residual current protection and measurement (S2): 62.5 mA
<b>RS485 Modbus communication interface</b>		
<b>DPX<sup>3</sup> electronic interface</b>		
1	4 210 75	For connecting electronic DPX <sup>3</sup> (except DPX <sup>3</sup> 630 S1 electronic release and DPX <sup>3</sup> 1600 S1 electronic release) to an RS485 Modbus communication network. All the information managed by the circuit breaker's electronic card will be shared on the Modbus network Dimension: 1 module Power supply: 24 V~ / = RS 485 link (2-wire) Address, speed and coding can be modified with configurator kit
<b>Modular power supply</b>		
1	0 035 67	230 V~ - 27 V= - 0.6 A 2 modules
<b>Door mounting touch screen</b>		
1	0 261 56	Optional touch screen allowing to: - visualize information coming from DX <sup>3</sup> , DPX <sup>3</sup> and DMX <sup>3</sup> protection devices and EMDX <sup>3</sup> multi-function measuring units and - control protection devices equipped with the universal control module Cat.No 4 149 32 Can manage up to 9 devices Power supply: 18-30 V = IP connection For mounting on door or solid faceplate Door cut: 92 x 92 mm

## Residual current relay and coils



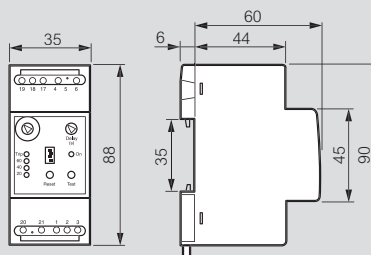
Add residual current protection to DPX<sup>3</sup> trip-free switches and DPX<sup>3</sup> MCCBs equipped with release

Pack	Cat.Nos	Residual current relay																						
1	0 260 88	<p>Detects fault currents, and, when used with a shunt trip or an undervoltage release, it gives the trip command to a MCCB or a switch</p> <ul style="list-style-type: none"> <li>Comprises:                             <ul style="list-style-type: none"> <li>a tinged, sealable window</li> <li>an auxiliary contact</li> <li>a green Led indicating energisation</li> <li>3 yellow Leds indicating respectively the max. phase earth insulation current: 20, 40 and 60 %</li> <li>a red Led indicating</li> </ul> </li> <li>Fixed: exceeding of the insulation fault current value</li> <li>Flashing: breaking of one of the connections between coils and relays</li> <li>For use with coils:                             <ul style="list-style-type: none"> <li>Ø35 and 80 mm</li> <li>Adjustable sensitivity: 0.03, 0.05, 0.075, 0.1, 0.15, 0.2, 0.3, 0.5, 0.75, 1, 1.5, 2, 3, 5, 7.5, 10, 15, 20, 30 A</li> <li>Ø110 to 210 mm</li> <li>Adjustable sensitivity: 0.3, 0.5, 0.75, 1, 1.5, 2, 3, 5, 7.5, 10, 15, 20, 30 A</li> <li>Ø150 mm</li> <li>Adjustable sensitivity: 0.5, 0.75, 1, 1.5, 2, 3, 5, 7.5, 10, 15, 20, 30 A</li> <li>Ø300 mm</li> <li>Adjustable sensitivity: 1, 1.5, 2, 3, 5, 7.5, 10, 15, 20, 30 A</li> </ul> </li> <li>Adjustable trip: 0, 0.15, 0.25, 0.5, 1, 2.5, 5 seconds</li> <li>Supply voltage: 230/240 V - 50/60 Hz</li> </ul>	Number of modules 2																					
1	0 260 88	Residual current relay to clip on rail																						
		<b>Coils</b>																						
		For use with residual current relay Cat.No 0 260 88																						
		1 coil per DPX <sup>3</sup>																						
		<table border="1"> <thead> <tr> <th>Ø (mm)</th> <th>In (A)</th> <th>I<sub>max</sub> (A)</th> </tr> </thead> <tbody> <tr> <td>35</td> <td>70</td> <td>420</td> </tr> <tr> <td>80</td> <td>170</td> <td>1020</td> </tr> <tr> <td>140</td> <td>250</td> <td>1500</td> </tr> <tr> <td>210</td> <td>400</td> <td>2400</td> </tr> <tr> <td>150</td> <td>250</td> <td>1500</td> </tr> <tr> <td>310</td> <td>630</td> <td>3780</td> </tr> </tbody> </table>	Ø (mm)	In (A)	I <sub>max</sub> (A)	35	70	420	80	170	1020	140	250	1500	210	400	2400	150	250	1500	310	630	3780	
Ø (mm)	In (A)	I <sub>max</sub> (A)																						
35	70	420																						
80	170	1020																						
140	250	1500																						
210	400	2400																						
150	250	1500																						
310	630	3780																						

## Residual current relay and coils

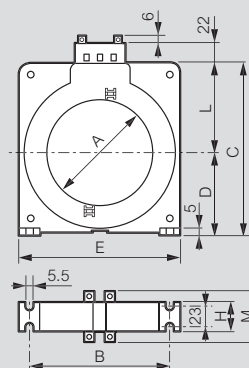
### Residual current relay

Cat.No 0 260 88



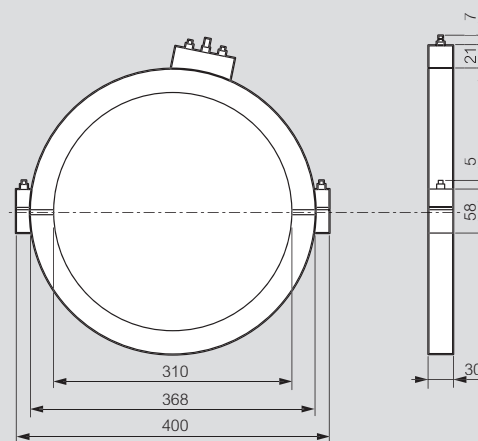
### Coils

Cat.Nos 0 260 92/93/94/95/96 Cat.No 0 260 97



Cat.Nos	A	B	C	D	E	H	L	M
0 260 92	35	75	85	42	92	36	43	56
0 260 93	80	108	132	67	125	36	65	56
0 260 94	110	148	170	86	165	36	84	56
0 260 95	140	177	206	104	200	36	102	56
0 260 96	210	270	295	150	290	44	145	64
0 260 97	150	225	259	133	245	275	95	113

Cat.No 0 260 98



## DPX<sup>3</sup>-I trip-free switches

125 to 1600 A



Dimensions p. 42 - 44 and 46 - 49

Trip-free switches for on-load circuit breaking and isolation of low voltage electrical circuits

Can be associated to earth leakage modules or to corresponding DPX<sup>3</sup> residual current relays

Conform to IEC 60947-3

Category of use AC 23 A

Connection identical to corresponding DPX<sup>3</sup>

Pack	Cat.Nos		DPX <sup>3</sup> -I 125 HP
1	3P	4P	In (A) 125
1	4 231 84	4 231 85	125 with earth leakage module
1	4 231 87		
1	3P	4P	In (A) 250
1	4 231 80	4 231 81	250 with earth leakage module
1	4 231 83		
1	3P	4P	In (A) 400
1	4 222 16	4 222 18	400
1	4 222 17	4 222 19	630
1	3P	4P	In (A) 630
1	4 224 90	4 224 94	630
1	4 224 91	4 224 95	800
1	4 224 92	4 224 96	1250
1	4 224 93	4 224 97	1600

## DPX<sup>3</sup>-I trip-free switches

technical characteristics

### Technical characteristics

Trip-free switches	DPX <sup>3</sup> -I 125 HP	DPX <sup>3</sup> -I 250 HP	DPX <sup>3</sup> -I 630	
Rated current In (A)	125	250	400	630
Short time withstand current I <sub>cw</sub> (kA) (1 s)	1.5	3	5	8
Rated short-circuit making capacity I <sub>cm</sub> (kA)	2.5	4.3	8	14
Rated insulation voltage U <sub>i</sub> (V $\sim$ )	800	800	800	
Maximum rated operating voltage U <sub>e</sub> (V $\sim$ /=)	690	690 <sup>(1)</sup> 415 <sup>(2)</sup>	690	
Rated impulse withstand voltage U <sub>imp</sub> (kV)	8	8	8	
Category of use	AC23A	AC23A <sup>(3)</sup> AC22A <sup>(4)</sup>	AC22A	AC23A
Rated frequency (Hz)	50-60	50-60	50-60	
Operating temperature (°C)	-25 / +70	-25 / +70	-25 / +70	
Mechanical endurance (cycles)	20000	12000	20000	
Mechanical endurance with motor control	-	12000	10000	
Electrical endurance at I <sub>n</sub> (cycles)	8000	6000	4000	
Electrical endurance at 0.5 I <sub>n</sub> (cycles)	-	6000	8000	

1: I<sub>n</sub> = 160 A - 200 A - 250 A

2: I<sub>n</sub> = 225 A

3: I<sub>n</sub> ≤ 225 A

4: I<sub>n</sub> = 250 A

Trip-free switches	DPX <sup>3</sup> -I 1600			
Rated current In (A)	630	800	1250	1600
Short time withstand current I <sub>cw</sub> (kA) (1 s)	17	17	24 <sup>(5)</sup> /40	40
Rated short-circuit making capacity I <sub>cm</sub> (kA)	10	10	12 <sup>(5)</sup> /20	20
Rated insulation voltage U <sub>i</sub> (V $\sim$ )	1000			
Maximum rated operating voltage U <sub>e</sub> (V $\sim$ /=)	690			
Rated impulse withstand voltage U <sub>imp</sub> (kV)	8			
Category of use	AC23A			
Rated frequency (Hz)	50-60			
Operating temperature (°C)	-25 / +70			
Mechanical endurance (cycles)	10000			
Mechanical endurance with motor control	5000			
Electrical endurance at I <sub>n</sub> (cycles)	4000			
Electrical endurance at 0.5 I <sub>n</sub> (cycles)	8000			

5: I<sub>n</sub> ≤ 1000 A



# DPX<sup>3</sup> magnetic release only

MCCBs from 6.3 to 1000 A for motor protection



4 239 33



4 239 45

Dimensions **p. 43 - 44 and 46 - 49**  
Electrical characteristics **see e-catalogue**

Moulded case MCCBs for switching, control isolation and protection of three-phase motors  
Can be fitted with auxiliaries (p. 25 and 36)  
Supplied with: screws for connections, fixing screws and insulated shields (phase barriers)  
Conform to IEC 60947-2

Pack	Cat.Nos		<b>DPX<sup>3</sup> 250 HP</b>
			Magnetic adjustable from 6 to 14 In Can be mounted on plate in XL <sup>3</sup> and XL <sup>3</sup> S cabinets and enclosures
			<b>Breaking capacity Icu 36 kA (400 V<sub>~</sub>)</b>
			In (A)
	3P	4P	
1	4 239 01	4 239 13	6.3
1	4 239 02	4 239 14	12.5
1	4 239 03	4 239 15	25
1	4 239 04	4 239 16	32
1	4 239 05	4 239 17	50
1	4 239 06	4 239 18	80
1	4 239 07	4 239 19	100
1	4 239 08	4 239 20	160
1	4 239 09	4 239 21	220
			<b>Breaking capacity Icu 50 kA (400 V<sub>~</sub>)</b>
1	4 239 25	4 239 37	6.3
1	4 239 26	4 239 38	12.5
1	4 239 27	4 239 39	25
1	4 239 28	4 239 40	32
1	4 239 29	4 239 41	50
1	4 239 30	4 239 42	80
1	4 239 31	4 239 43	100
1	4 239 32	4 239 44	160
1	4 239 33	4 239 45	220
			<b>Breaking capacity Icu 70 kA (400 V<sub>~</sub>)</b>
1	4 239 49	4 239 61	6.3
1	4 239 50	4 239 62	12.5
1	4 239 51	4 239 63	25
1	4 239 52	4 239 64	32
1	4 239 53	4 239 65	50
1	4 239 54	4 239 66	80
1	4 239 55	4 239 67	100
1	4 239 56	4 239 68	160
1	4 239 57	4 239 69	220
			<b>Breaking capacity Icu 100 kA (400 V<sub>~</sub>)</b>
1	4 239 73	4 239 85	6.3
1	4 239 74	4 239 86	12.5
1	4 239 75	4 239 87	25
1	4 239 76	4 239 88	32
1	4 239 77	4 239 89	50
1	4 239 78	4 239 90	80
1	4 239 79	4 239 91	100
1	4 239 80	4 239 92	160
1	4 239 81	4 239 93	220

Pack	Cat.Nos		<b>DPX<sup>3</sup> 630</b>
			Magnetic adjustable up to 10 In Can be mounted on plate in XL <sup>3</sup> and XL <sup>3</sup> S cabinets and enclosures
			<b>Breaking capacity Icu 36 kA (400 V<sub>~</sub>)</b>
			In (A)
	3P	4P	
1	4 226 08		320 with electronic release
1	4 225 98	4 226 16	400
1	4 226 09		400 with electronic release
1	4 225 99		500
1	4 226 00	4 226 17	630
			<b>Breaking capacity Icu 70 kA (400 V<sub>~</sub>)</b>
1	4 226 10		320 with electronic release
1	4 226 01	4 226 18	400
1	4 226 11		400 with electronic release
1	4 226 02		500
1	4 226 03	4 226 19	630
			<b>DPX<sup>3</sup> 1600</b>
			Magnetic adjustable up to 10 In Can be mounted on plate in XL <sup>3</sup> and XL <sup>3</sup> S cabinets and enclosures
			<b>Breaking capacity Icu 50 kA (400 V<sub>~</sub>)</b>
			In (A)
	3P	4P	
1	4 226 04	4 226 12	800
1	4 226 05	4 226 13	1000
			<b>Breaking capacity Icu 70 kA (400 V<sub>~</sub>)</b>
1	4 226 06	4 226 14	800
1	4 226 07	4 226 15	1000

# Automatic transfer switch control units



Technical characteristics and configuration software  
see e-catalogue

They can control transfer switching between sources, manage generator start/stop, control single phase, two-phase and three-phase networks, control phase-phase and phase-neutral voltages  
For DPX<sup>3</sup> and DMX<sup>3</sup> circuit breakers and CTX<sup>3</sup> contactors

Pack	Cat.Nos	Automatic transfer switch control units	Pack	Cat.Nos	Dual power supply selector	
1	4 226 81 <sup>1</sup>	<b>For standard management of 2 circuit breakers</b> 6 programmable digital inputs and 7 programmable relay outputs LCD display IR communication port on the front panel for connection of USB or WiFi modules Cat.Nos 4 226 87/88 Can be configured with the help of front panel touch keys or of the Legrand dedicated software Power supply: 110-240 V~ IP40	1	4 226 86	Dual power supply selector measures and controls two supply voltages at its inputs (single phase, 230 V~) and selects the most adapted voltage for auxiliary circuits supply Equipped with 1 alarm contact, if no supply voltage can be selected within the limits	
1	4 226 82 <sup>1</sup>	<b>For advanced management of 2 circuit breakers</b> 6 programmable digital inputs and 7 programmable relay outputs Can be equipped with maximum 2 plug-in modules between: - extension modules Cat.Nos 4 226 90/91/92 - opto-isolated RS485 communication interface Cat.No 4 226 89 LCD display IR communication port on the front panel for connection of USB or WiFi modules Cat.Nos 4 226 87/88 Can be configured with the help of front panel touch keys or of the Legrand dedicated software Power supply: 12-24 V= ; 110-240 V~ IP40	1	4 226 89	<b>Plug-in modules</b> 4 opto-isolated RS485 interface 4 opto-isolated static outputs 2 relay outputs, rated 5 A 250 V~ 2 opto-isolated digital inputs and 2 relay outputs rated 5 A 250 V~	
1	4 226 83 <sup>1</sup>	<b>For advanced management of 3 circuit breakers and 2 power sources</b> 8 programmable digital inputs and 7 programmable relay outputs Can be equipped with maximum 3 plug-in extension modules between Cat.Nos 4 226 90/91/92 Integrated opto-isolated RS485 communication interface LCD display IR communication port on the front panel for connection of USB or WiFi modules Cat.Nos 4 226 87/88 Can be configured with the help of front panel touch keys or of the Legrand dedicated software Power supply: 12-24-48 V= ; 110-240 V~ IP65	1	4 226 92		
1	4 226 84 <sup>1</sup>	<b>For advanced management of 5 circuit breakers and 3 power sources</b> 12 programmable digital inputs and 11 programmable relay outputs Can be equipped with maximum 3 plug-in extension modules between Cat.Nos 4 226 90/91/92 Integrated opto-isolated RS485 communication interface LCD display IR communication port on the front panel for connection of USB or WiFi modules Cat.Nos 4 226 87/88 Can be configured with the help of front panel touch keys or of the Legrand dedicated software Power supply: 12-24-48 V= ; 110-240 V~ IP65 Must be factory configured to fit installation needs Please ask for ATS order form.	1	4 226 87 <sup>1</sup>		<b>Communication accessories</b> These communication devices can be used to connect Alptec 8 and Alptec 3.2/5.2/8.2 power factor controllers (p. 123) and automatic transfer switch controllers to a computer; smartphone or tablet For programming, downloading data, diagnostics and upgrading the firmware <b>USB front connector</b> Computer connection cable with USB connector The computer identifies the connection as a standard USB connection. There is no need to switch off the controller power supply <b>Wi-Fi front connector</b> Wi-Fi connection device compatible with computers, smartphones and tablets There is no need to switch off the controller power supply
			1	4 226 88 <sup>1</sup>		

1: Configuration software available for download via e-catalogue  
ACU Configurator app for smartphone and tablet available on Apple Store and Google Play

# Automation control units for transfer switches

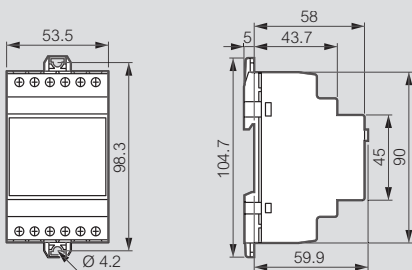
## technical characteristics and dimensions

### Technical characteristics

		Cat.Nos			
		4 226 81	4 226 82	4 226 83	4 226 84
Voltage Inputs	U <sub>e</sub> max rated voltage	100-480 V~	100-480 V~	100-600 V~ L-L (346 V~ L-N)	100-600 V~ L-L (346 V~ L-N)
	Measuring range	50-576 V~ (L-L)	50-576 V~ (L-L)	50-720 V~ (L-L)	50-720 V~ (L-L)
	Frequency range	45...65 Hz 360...440 Hz	45...65 Hz 360...440 Hz	45...65 Hz 360...440 Hz	45...65 Hz 360...440 Hz
	Measurement type	True RMS value	True RMS value	True RMS value	True RMS value
	Connection modes	Single phase, two-phase or three-phase system with or without neutral	Single phase, two-phase or three-phase system with or without neutral	Single phase, two-phase or three-phase system with or without neutral	Single phase, two-phase or three-phase system with or without neutral
	Measuring error	± 0.25% f.s. ± 1 digit	± 0.25% f.s. ± 1 digit	± 0.25% f.s. ± 1 digit	± 0.25% f.s. ± 1 digit
Ambient conditions	Operating temperature	-30... +70 °C	-30... +70 °C	-30... +70 °C	-30... +70 °C
	Storage temperature	-30...+80 °C	-30...+80 °C	-30...+80 °C	-30...+80 °C
	Relativity humidity	80 % (IEC/EN 60068-2-78)	80 % (IEC/EN 60068-2-78)	80 % (IEC/EN 60068-2-78)	80 % (IEC/EN 60068-2-78)
	Maximum pollution degree	2	2	2	2
	Overvoltage category	3	3	3	3
	Measurement category	III	III	III	III
	Rated impulse withstand voltage	Uimp 7.3 kV	Uimp 7.3 kV	Uimp 7.3 kV	Uimp 7.3 kV
	Protection index	IP 40	IP 40	IP 65	IP 65
Functionalities	Inputs	6 programmables	6 programmables	8 programmables	12 programmables
	Outputs	7 relay programmables	7 relay programmables	7 relay programmables	11 relay programmables
	Expandibility	No	Yes (2 modules)	Yes (3 modules)	Yes (3 modules)
	ModBus	No	Yes, with expansion module RS485	Yes, embedded RS485	Yes, embedded RS485
	Storage	No	Yes, 100 most recent events	Yes, 250 most recent events	Yes, 250 most recent events
	Programming	USB or WiFi (Direct on front panel or with comm module and Legrand software or App)			

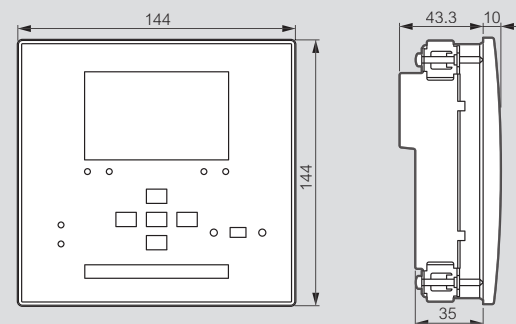
### Dimensions

#### Cat.No 4 226 86

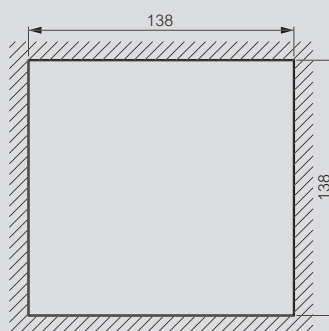


### Dimensions (continued)

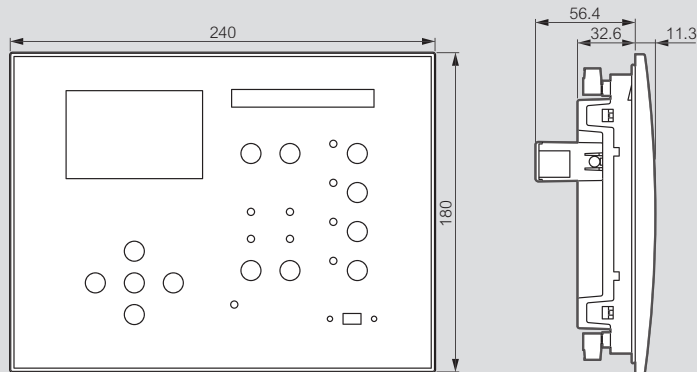
#### Cat.Nos 4 226 81/82



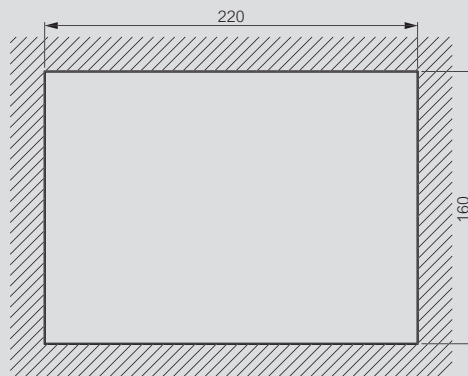
#### Door cut



#### Cat.Nos 4 226 83/84



#### Door cut

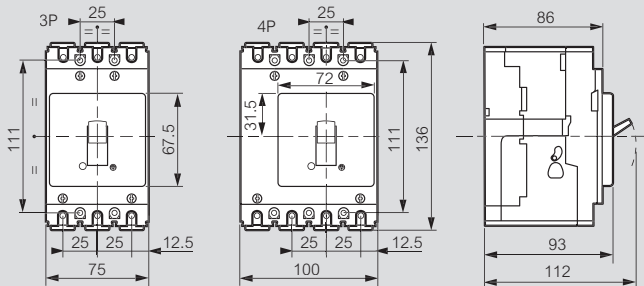


# DPX<sup>3</sup> 125 HP

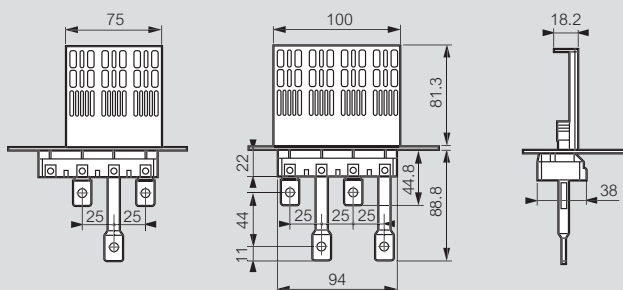
## technical characteristics

### ■ Dimensions

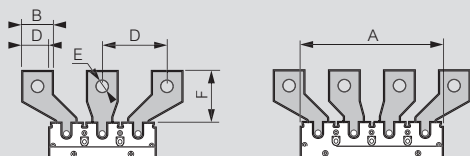
#### Fixed version, front terminals



#### Fixed version with rear terminals Cat.Nos 4 238 91/92

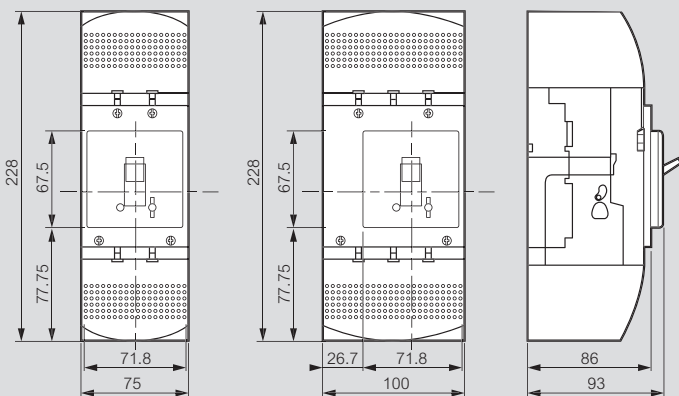


#### Spreaders Cat.Nos 4 238 88/89

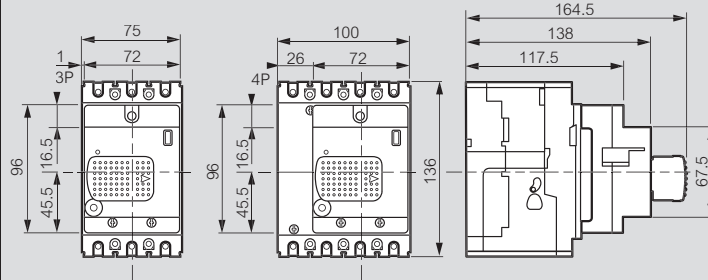


	A	B	C	D	E	F
3P	75	22	10	35.7	10.2	32
4P	100	22	10	35.7	10.2	32

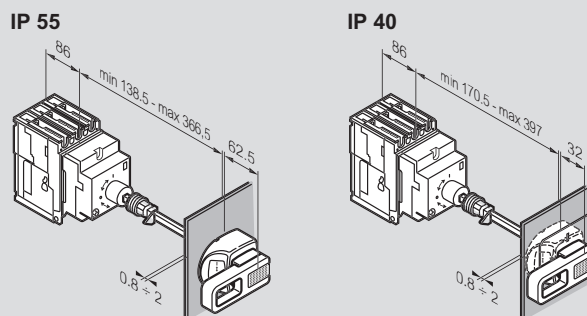
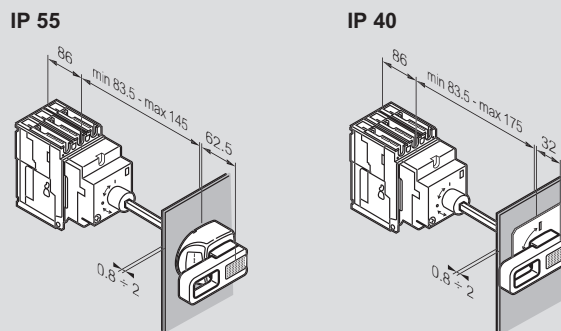
#### Sealable terminal shields Cat.Nos 4 238 93/94



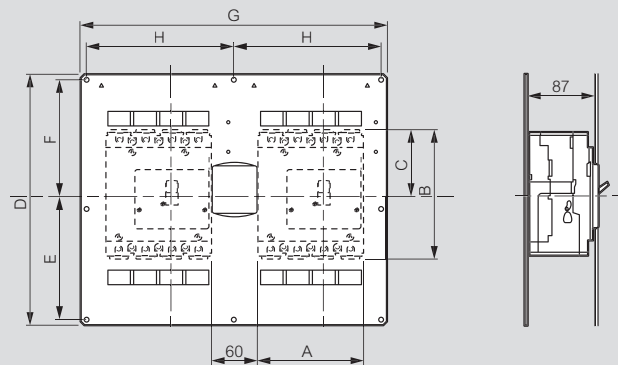
#### Rotary handle direct on DPX<sup>3</sup> Cat.Nos 4 238 70/71



#### Vari-depth handle Cat.Nos 4 238 72/73



#### Mechanical interlock Cat.Nos 4 238 25/26/27



	A	B	C	D	E	F	G	H
3P	75	136	68	290	140	135	315	150
4P	100	136	68	290	140	135	315	150

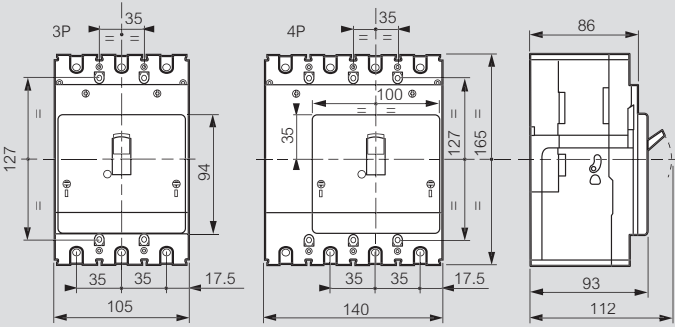
More dimensions for DPX<sup>3</sup> 125 HP  
see technical sheets

# DPX<sup>3</sup> 250 HP

## technical characteristics

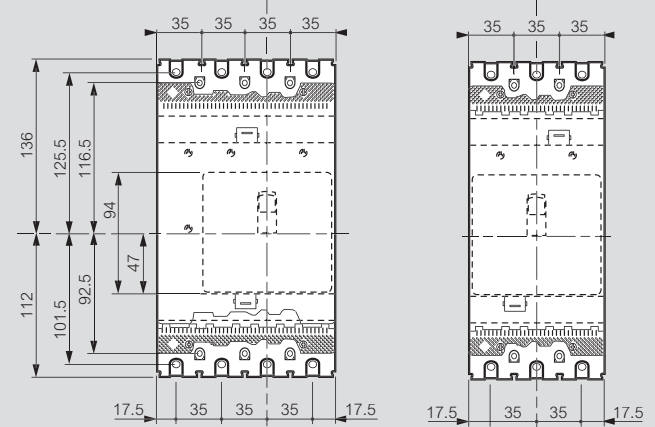
### ■ Dimensions

#### Fixed version, front terminals

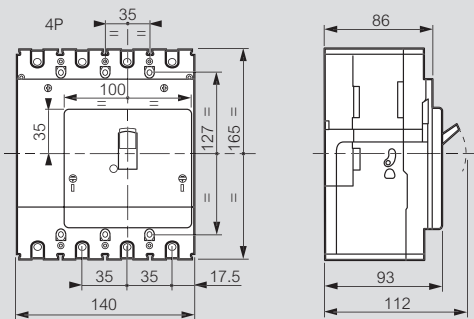


#### Plug-in version front terminals

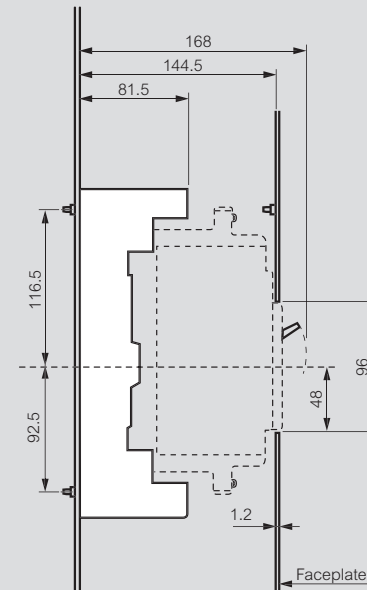
##### Front view



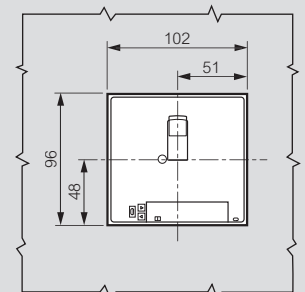
#### Fixed version with electronic earth leakage module



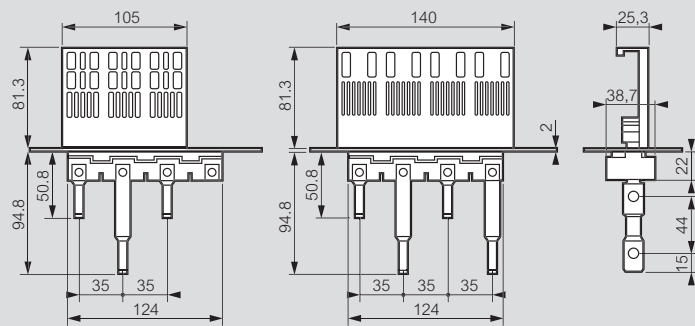
#### Side view with faceplate



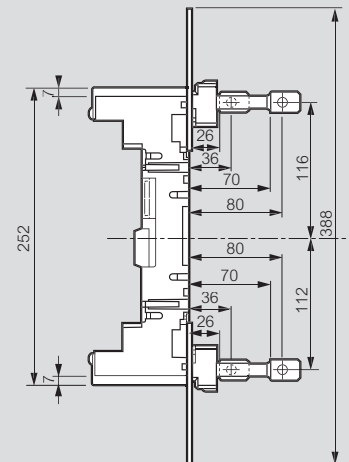
#### Front view with faceplate



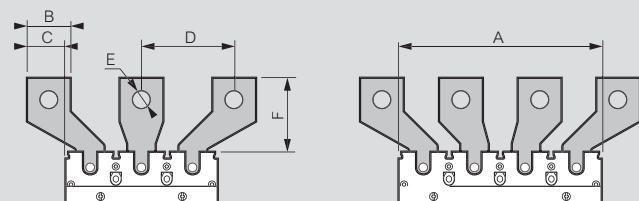
#### Fixed version with rear terminals Cat.Nos 4 238 91/92



#### Plug-in base with rear terminals Cat.Nos 4 238 21/22



#### Spreaders Cat.Nos 4 238 23/24



	A	B	C	D	E	F
3P	105	30	27	63.5	13	50
4P	140	30	27	63.5	13	50

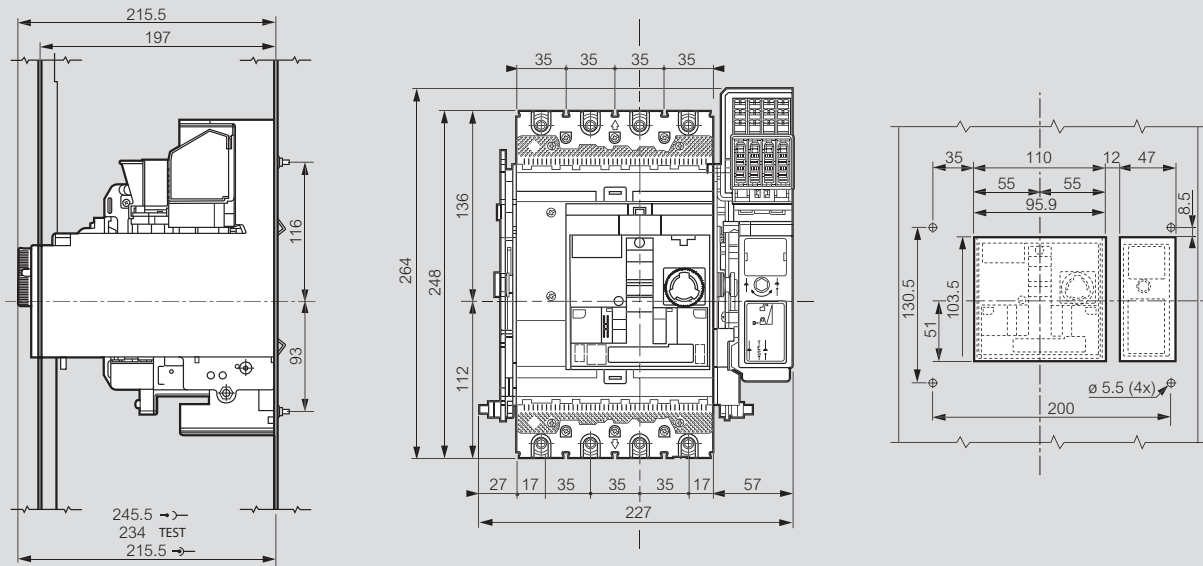
More dimensions for DPX<sup>3</sup> 250 HP  
see technical sheets

# DPX<sup>3</sup> 250 HP

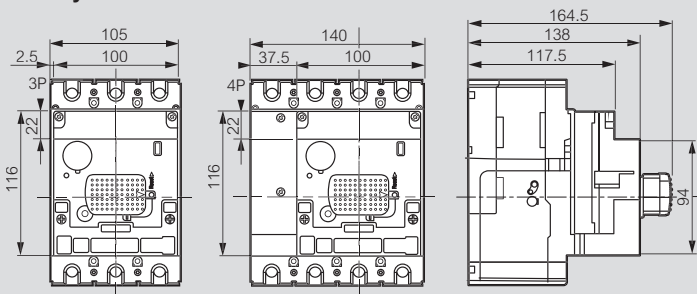
## technical characteristics (continued)

### ■ Dimensions

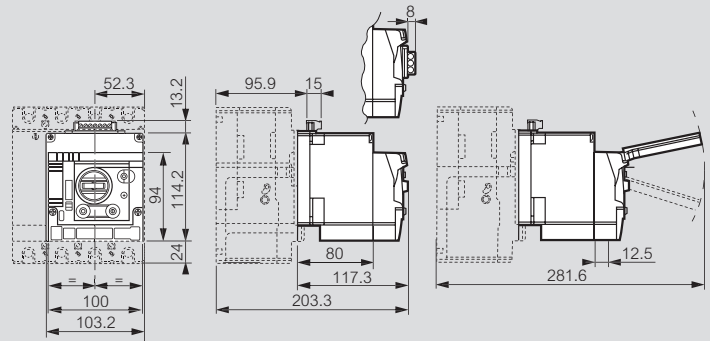
#### Draw-out version



#### Rotary handle direct on DPX<sup>3</sup> Cat.Nos 4 238 70/71

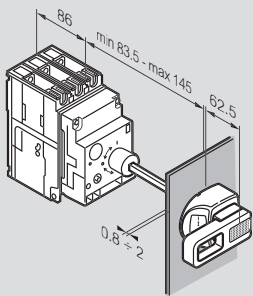


#### Motor driven handle Cat.Nos 4 238 40/41/42/43

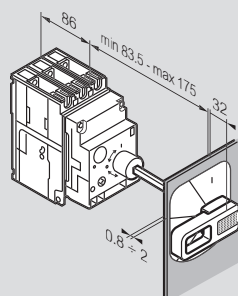


#### Vari-depth handle Cat.Nos 4 238 72/73

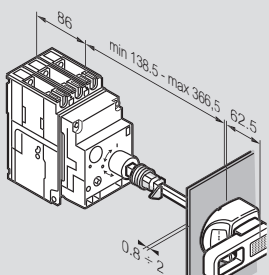
##### IP 55



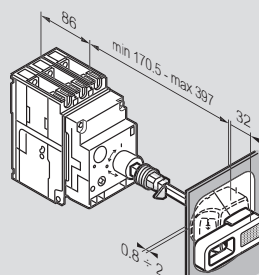
##### IP 40



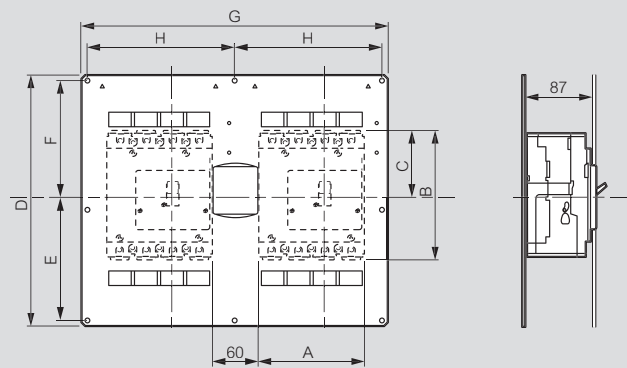
##### IP 55




##### IP 40



#### Mechanical interlock Cat.Nos 4 238 26/27/28



	A	B	C	D	E	F	G	H
3P	105	165	82.5	340	165	160	415	200
4P	140	165	82.5	340	165	160	415	200

 More dimensions for DPX<sup>3</sup> 250 HP  
see technical sheets

# DPX<sup>3</sup> 125 and 250 HP

technical characteristics (continued)

## ■ Technical characteristics (at 40 °C and 50 °C)

MCCBs	DPX <sup>3</sup> 125 HP thermal magnetic				DPX <sup>3</sup> 125 HP thermal magnetic with electronic earth leakage module		
	36 kA	50 kA	70 kA	100 kA	36 kA	50 kA	
Nominal rating In (A)	16-20-25-32-40-50-63-80-100-125				16-20-25-32-40-50-63-80-100-125		
Rated insulation voltage Ui (V)	50-60Hz				500		
Rated operational voltage Ue (V)	50-60Hz				500		
Rated impulse withstand current Uimp (kV)	8				6		
Category of use	A				A		
IEC 60947-2	220/240 V~	70	90	100	150	70	90
	380/415 V~	36	50	70	100	36	50
	440/460 V~	20	25	35	40	20	25
	480/500 V~	12	16	20	25	12	16
	550 V~	8	10	16	18	-	-
	690 V~	5	6	10	12	-	-
	Ultimate breaking capacity Ics (kA) in AC	100	100	100	100	100	100
Standard breaking capacity Ics (% Icu)	100	100	100	100	100	100	
Short-circuit making capacity Icm (kA)	415 V~	76.5	105	154	220	76.5	105

MCCBs	DPX <sup>3</sup> 250 thermal magnetic				DPX <sup>3</sup> 250 thermal magnetic with electronic earth leakage module		
	36 kA	50kA	70 kA	100 kA	36 kA	50 kA	
Rated current In (A)	16-20-25-32-40-50-63-80-100-125-160-200-250				16-20-25-32-40-50-63-80-100-125-160-200-250		
Rated insulation voltage Ui (V)	50-60Hz				500		
Rated operational voltage Ue (V)	50-60Hz				500		
Rated impulse withstand current Uimp (kV)	8				6		
Category of use	A				A		
IEC 60947-2	220/240 V~	70	90	100	150	70	90
	380/415 V~	36	50	70	100	36	50
	440/460 V~	25	30	40	50	25	30
	480/500 V~	16	18	30	35	16	18
	550 V~	10	12	22	25	-	-
	690 V~	7	8	20	22	-	-
	Ultimate breaking capacity Ics (kA) in AC	100	100	100	100	100	100
Standard breaking capacity Ics (% Icu)	100	100	100	100	100	100	
Short-circuit making capacity Icm (kA)	415 V~	76.5	105	154	220	76.5	105

MCCBs	DPX <sup>3</sup> 250 S1 electronic release				DPX <sup>3</sup> 250 S1 electronic release with electronic earth leakage module		
	36 kA	50kA	70 kA	100 kA	36 kA	50kA	
Rated current In (A)	40-100-160-250				40-100-160-250		
Rated insulation voltage Ui (V)	50-60Hz				500		
Rated operational voltage Ue (V)	50-60Hz				500		
Rated impulse withstand current Uimp (kV)	8				6		
Category of use	A				A		
IEC 60947-2	220/240 V~	70	90	100	150	70	90
	380/415 V~	36	50	70	100	36	50
	440/460 V~	25	30	40	50	25	30
	480/500 V~	16	18	30	35	16	18
	550 V~	10	12	22	25	-	-
	690 V~	7	8	20	22	-	-
	Ultimate breaking capacity Ics (kA) in AC	100	100	100	100	100	100
Standard breaking capacity Ics (% Icu)	100	100	100	100	100	100	
Short-circuit making capacity Icm (kA)	415 V~	76.5	105	154	220	76.5	105

## ■ Adjustment for thermal-magnetic DPX<sup>3</sup> HP

Setting	DPX <sup>3</sup> thermal magnetic	DPX <sup>3</sup> with integrated e.i.c.bs
Ir overload trip threshold (thermal)	0.8 - 0.9 - 1 x In	
Im short-circuit trip threshold (magnetic)	DPX <sup>3</sup> 125 HP	fixed at 400 A for In from 16 A to 40 A fixed at 10 x In for In ≥ 50 A
	DPX <sup>3</sup> 250 HP	fixed at 400 A for In ≤ 40 A Adjustable: from 6.5 to 13 x In for In = 50 A from 5 to 10 x In for In ≥ 50 A
I <sub>Δn</sub> (A)	-	0.03 - 0.3 - 1 - 3
Δt (s)	-	0 - 0.3 - 1 - 3

## ■ Adjustment for DPX<sup>3</sup> HP electronic release

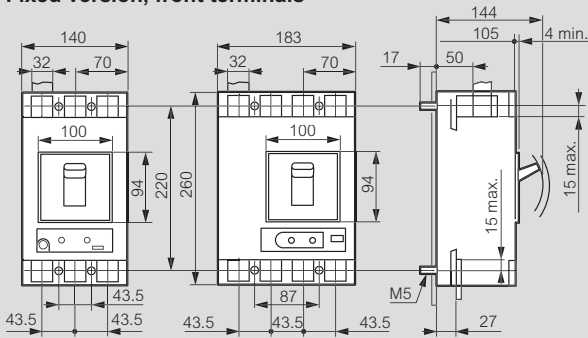
Setting	DPX <sup>3</sup>	DPX <sup>3</sup> with integrated e.i.c.bs
Ir overload trip threshold (long delay)	0.4 to 1 x In	
tr long delay trip time	5 s	
I <sub>Δn</sub> (A)	-	0.03 - 0.03 - 1 - 3
Δt (s)	-	0 - 0.3 - 1 - 3
I <sub>sd</sub> short-circuit trip threshold (short delay)	1.5 - 2 - 2.5 - 3 - 4 - 5 - 6 - 7 - 8 - 9 - 10 x Ir	
tsd short delay trip time	0.1 s	

Functioning in particular conditions (temperature and altitude derating)  
see technical sheets

DPX<sup>3</sup> HP tripping curves  
see technical sheets

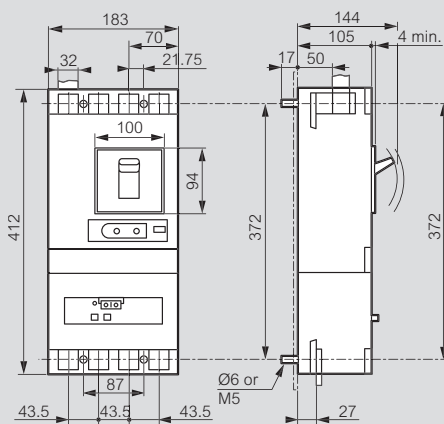
**■ Dimensions**

**Fixed version, front terminals**

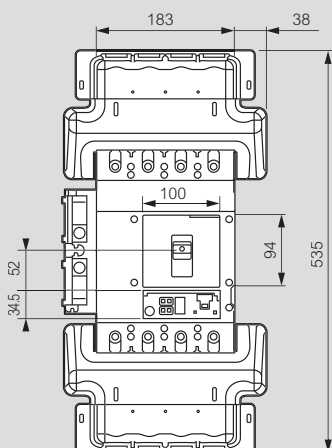
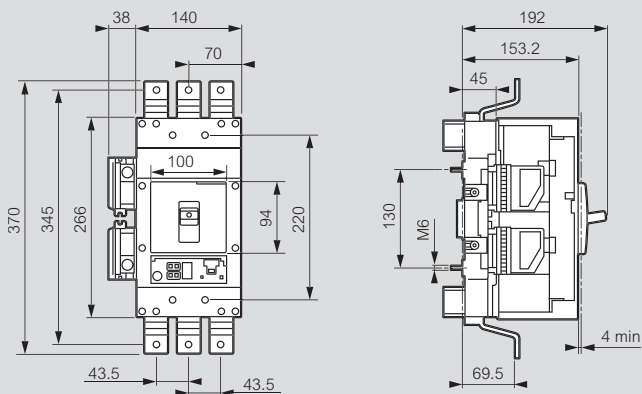


**Fixed version with earth leakage module mounted underneath**

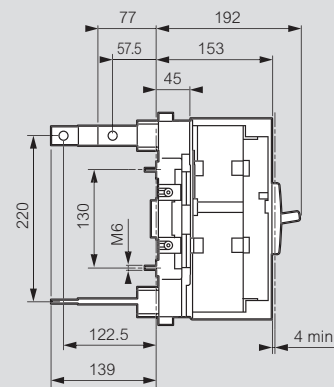
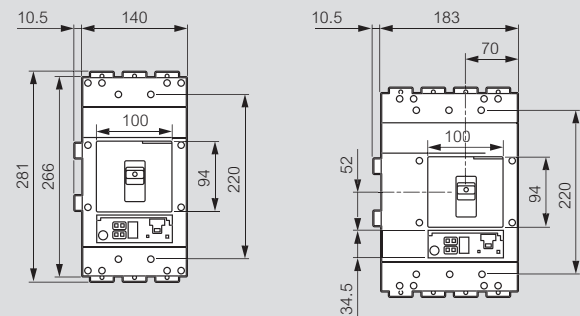
Front terminals



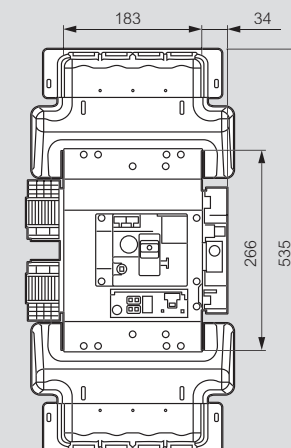
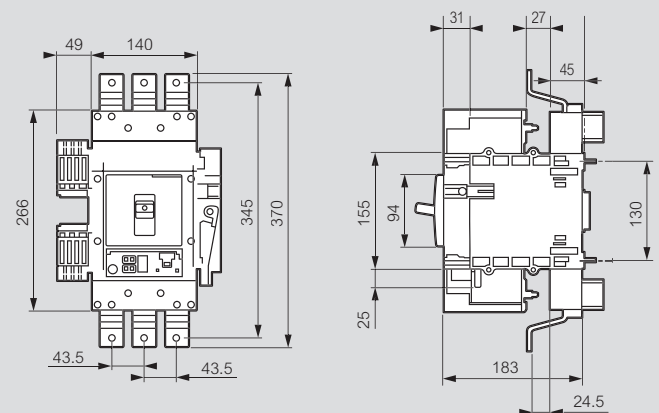
**Plug-in version, front terminals**



**Plug-in version, rear terminals**



**Draw-out version, front terminals**

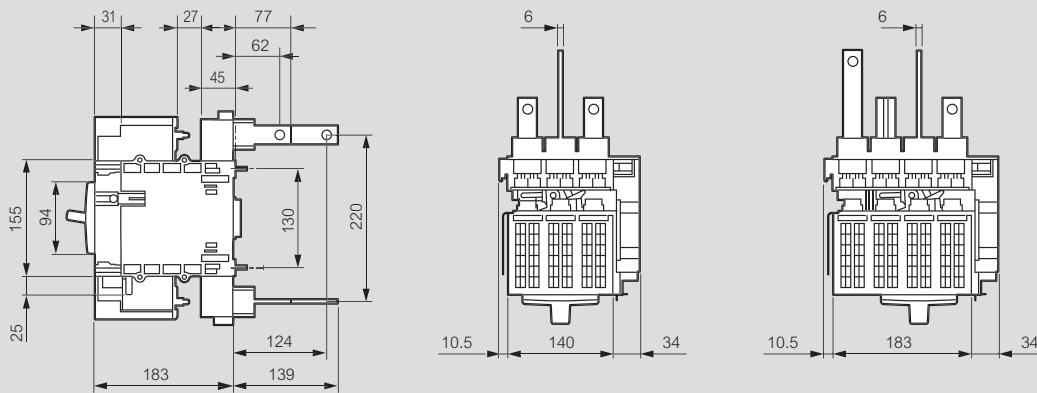


1: 75 mm without mechanical system

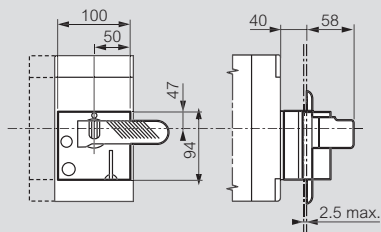


## ■ Dimensions (continued)

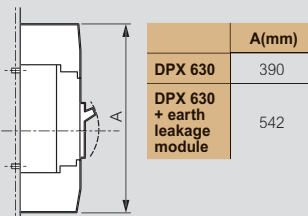
### Draw-out version, rear terminals Flat rear terminal



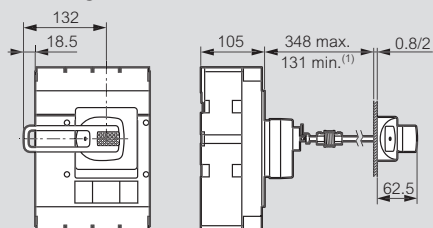
### Rotary handle-direct on DPX<sup>3</sup>



### Terminal shields

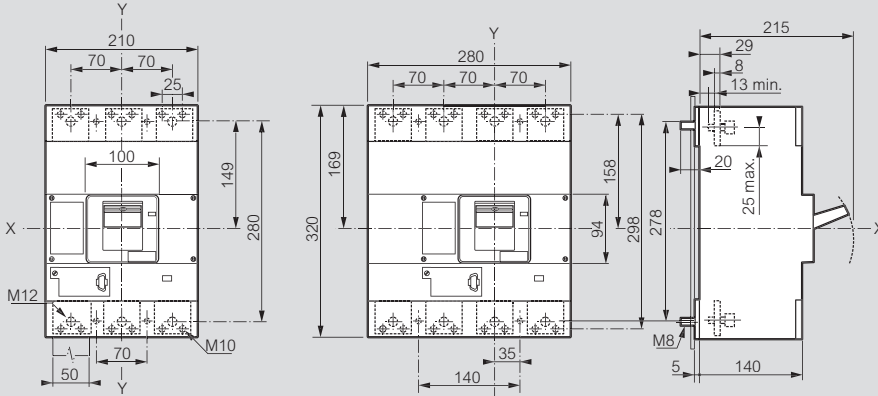


### Rotary handle-vari-depth handle on door Mounting with flexible seal

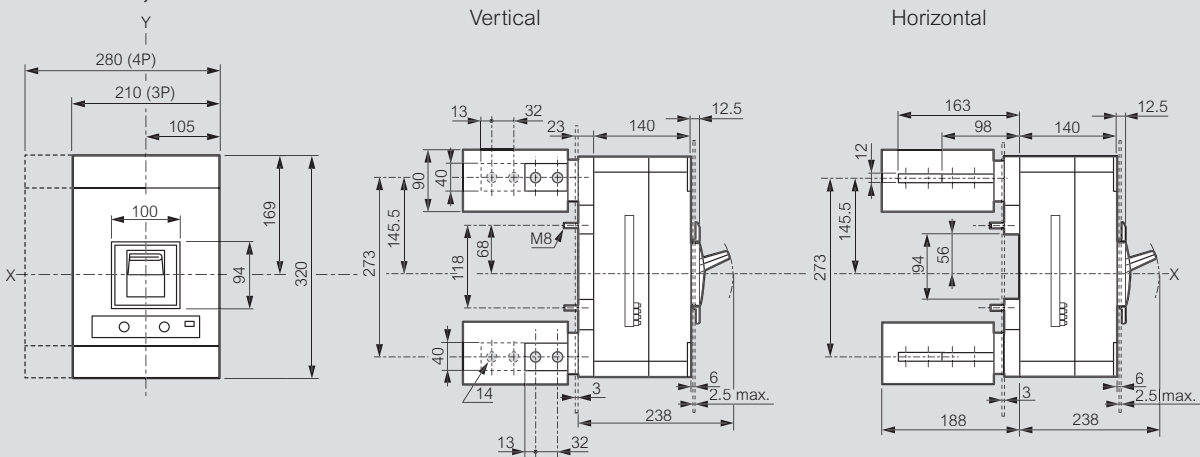


**Dimensions**

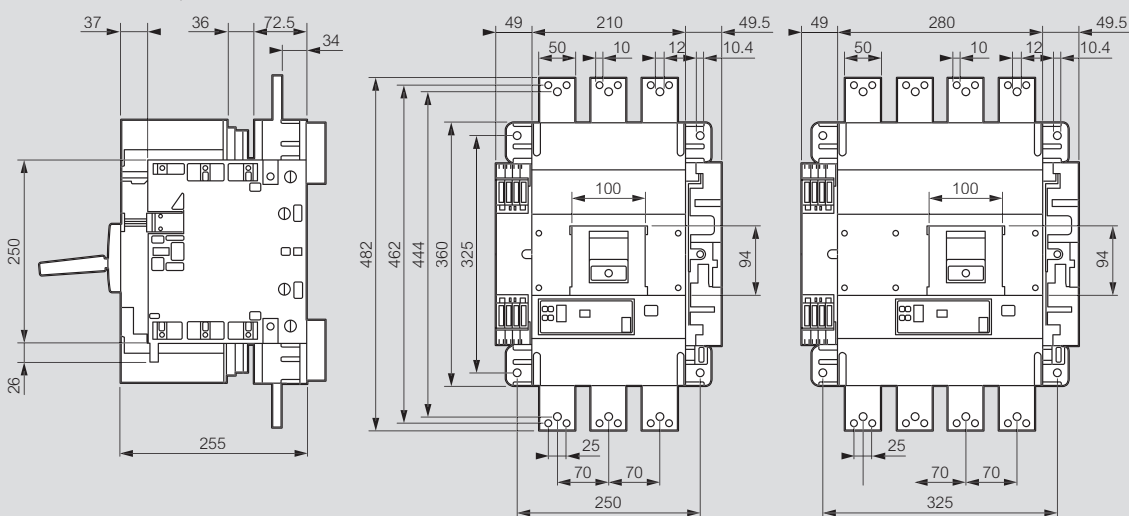
**Fixed version, front terminals**



**Fixed version, rear terminals**

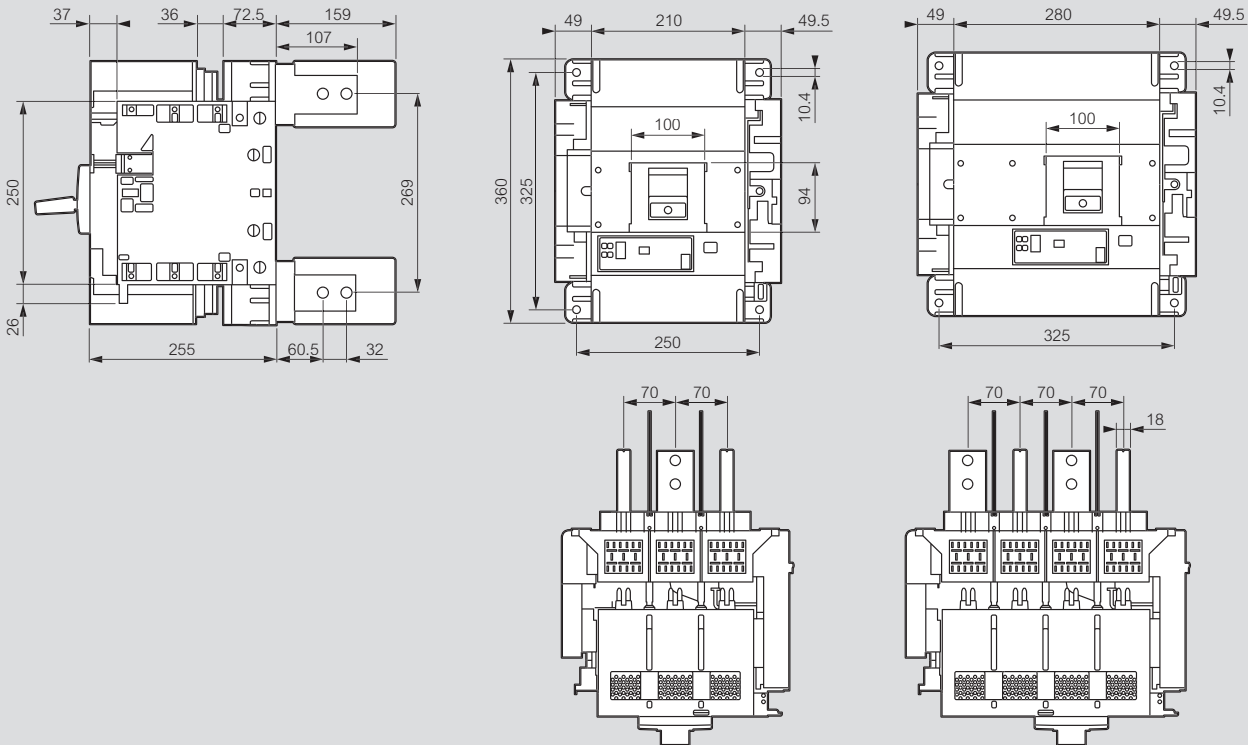


**Draw-out version, front terminals**

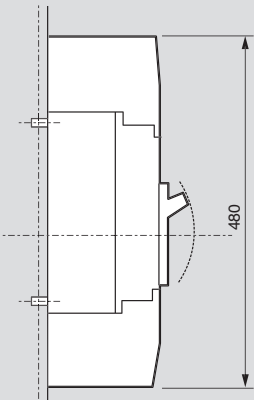


## Dimensions (continued)

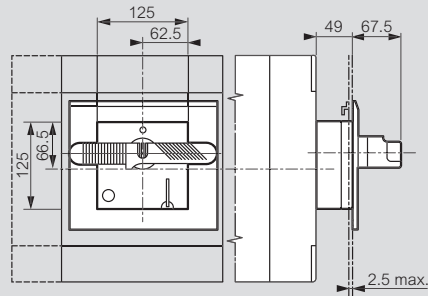
### Draw-out version, rear terminals (continued)



### Terminal shields

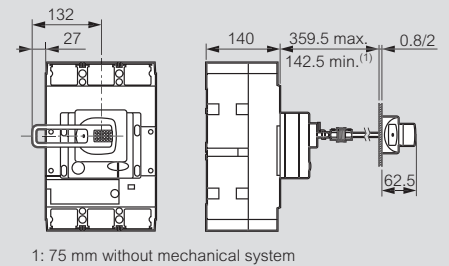


### Rotary handle-direct on DPX<sup>3</sup>



### Rotary handle-vari-depth handle on door

Mounting with flexible seal



## Adjustment for thermal-magnetic DPX<sup>3</sup>






Setting	DPX <sup>3</sup> 630	DPX <sup>3</sup> 1600
<b>I<sub>r</sub> overload trip threshold (thermal)</b>	0.8 to 1 I <sub>n</sub>	0.8 to 1 I <sub>n</sub>
<b>I<sub>m</sub> short-circuit trip threshold (magnetic)</b>	5 to 10 I <sub>n</sub>	5 to 10 I <sub>n</sub>

## Adjustment for DPX<sup>3</sup> electronic release

Threshold Setting	S1
<b>I<sub>r</sub>: long delay setting current (protection against overloads)</b>	$I_r = 0.4 \div 1 \times I_n$ (with 2 selectors of 10 steps)
<b>t<sub>r</sub>: long delay protection operation time</b>	t <sub>r</sub> = 5 s (with memory ON)
<b>I<sub>sd</sub>: short delay setting current (protection against short-circuits)</b>	$I_{sd} = 1.5 \div 10 I_r$ (with 10 steps)
<b>t<sub>sd</sub>: short delay protection operation time</b>	t <sub>sd</sub> = 10 ms
Threshold Setting	S2
<b>I<sub>r</sub>: long delay setting current (protection against overloads)</b>	$I_r = 0.4 \div 1 \times I_n$ (with 1 A steps)
<b>t<sub>r</sub>: long delay protection operation time</b>	t <sub>r</sub> = 3 ÷ 30 s (with 7 steps and memory ON or OFF)
<b>I<sub>sd</sub>: short delay setting current (protection against short-circuits)</b>	$I_{sd} = 1.5 \div 10 I_r$ (with 11 steps)
<b>t<sub>sd</sub>: short delay protection operation time</b>	t <sub>sd</sub> = 0 ÷ 500 ms (with 6 steps and I <sup>2</sup> t=k or t=k)



## FOLLOW US ON

- @ legrand.com
-  youtube.com/user/legrand
-  facebook.com/Legrand
-  twitter.com/Legrand
-  pinterest.com/legrandgroup
-  instagram.com/legrandnews



**Head office**  
and International Department  
87045 Limoges Cedex - France  
Tel. : + 33 (0) 5 55 06 87 87  
Fax: + 33 (0) 5 55 06 74 55